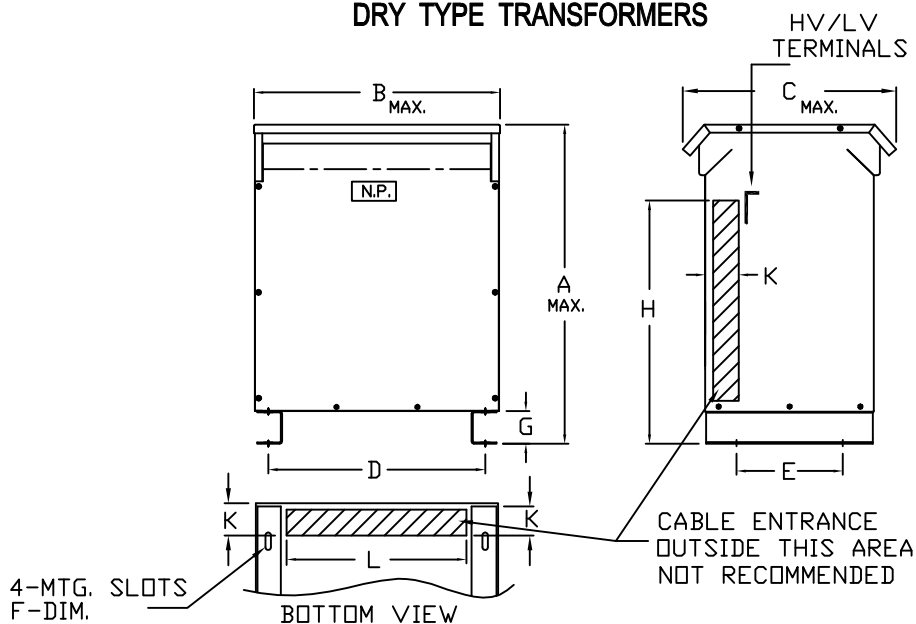


# Jefferson Electric

## DRY TYPE TRANSFORMERS



TEMP RISE	K-FACTOR	WINDINGS	EFFICIENCY
80	K-1	ALUMINUM	DOE-2016

DIMENSIONS IN (E)=INCHES (M)=CENTIMETERS

KVA	NET WT. LBS.	A		B		C		D		E		F		G		H		K		L	
		E	M	E	M	E	M	E	M	E	M	E	M	E	M	E	M	E	M	E	M
15	175	27.00	68.6	15.00	38.1	20.10	51.5	12.50	31.8	11.00	28.0	.56x1.13	1.4x2.9	3.00	7.6	16.00	40.6	3.00	7.6	10.00	25.4
25	250	29.00	73.7	17.00	43.2	22.10	56.1	14.00	35.6	13.00	33.0	.56x1.13	1.4x2.9	3.00	7.6	19.00	48.3	3.00	7.6	10.00	25.4
37	375	31.00	78.7	20.00	50.8	23.10	58.7	16.87	42.8	14.00	35.6	.56x1.13	1.4x2.9	3.00	7.6	20.00	50.8	3.00	7.6	11.00	27.9
50	450	32.00	81.3	22.00	55.9	25.35	64.4	19.00	48.3	16.00	40.6	.56x1.13	1.4x2.9	3.00	7.6	20.00	50.8	3.00	7.6	14.00	35.6
75	575	34.00	86.4	22.00	55.9	27.23	69.2	19.00	48.3	16.00	40.6	.56x1.13	1.4x2.9	3.00	7.6	22.00	55.9	3.00	7.6	16.00	40.6
100	700	36.00	91.4	22.00	55.9	29.23	74.2	19.00	48.3	18.00	46.0	.56x1.13	1.4x2.9	3.00	7.6	24.00	61.0	3.00	7.6	16.00	40.6
150	1035	55.00	139.7	34.00	86.36	37.00	94.0	30.87	78.4	25.00	63.5	.56x1.13	1.4x2.9	3.00	7.6	24.00	61.0	3.00	7.6	16.00	40.6
167	1200	55.00	139.7	34.00	86.36	37.00	94.0	30.87	78.4	25.00	63.5	.56x1.13	1.4x2.9	3.00	7.6	24.00	61.0	3.00	7.6	16.00	40.6
200	1245	52.0	132.0	35.00	88.9	37.0	94.0	31.50	80.0	25.00	63.5	.56x1.13	1.4x2.9	3.00	7.6	24.00	61.0	3.00	7.6	16.00	40.6
250	1580	52.0	132.0	35.00	88.9	37.0	94.0	31.50	80.0	25.00	63.5	.56x1.13	1.4x2.9	3.00	7.6	24.00	61.0	3.00	7.6	16.00	40.6

### NOTES:

- ALL UNITS ARE UL LISTED AND ARE DESIGNED IN ACCORDANCE WITH ANSI C89.2 AND NEMA ST-20 STANDARDS.
- THESE TRANSFORMERS UTILIZE A UL RECOGNIZED 220°C INSULATION SYSTEM.
- TRANSFORMERS ARE DRY TYPE, CLASS AA, VENTILATED ENCLOSURE FOR INDOOR OR OUTDOOR USE.
- FOR LIFTING OTHER THAN WITH FORK TRUCK, REMOVE TOP COVER AND USE CORE CLAMPS.
- PAINT COLOR IS ANSI #61 GRAY.
- FULL WIDTH COPPER ELECTROSTATIC SHIELD (OPTIONAL).
- 6" REQUIRED CLEARANCE FROM THE WALLS.
- HV/LV TERMINALS ARE TOP FRONT TERMINATED.
- NET. WEIGHTS ARE APPROXIMATE.
- MEETS DOE-2016 EFFICIENCY 10 CFR PART 431



GENERAL PURPOSE TRANSFORMERS  
SINGLE-PHASE, 600 VOLTS CLASS, 60 HZ.

421-900A-080

REV. A