

# BUCK-BOOST TRANSFORMER INSTALLATION SHEET

If you are using this unit as an **isolation transformer** with a primary of 120 or 240 or 480 volts and the secondary of 12/24, 16/32, or 24/48 (depending on the model) use the wiring diagram located on the inside of the cover to the wiring compartment.

If you are using this unit as an **auto transformer** to buck (lower) or boost (raise) the voltage by a 12 to 48 volts use the information below to select the proper wiring diagram. **Note: HV = Higher Voltage, LV = Lower Voltage when bucking and boosting.**

## Single-Phase Chart (Requires 1 transformer)

Low Voltage (LV)	High Voltage (HV)	Model #*	Diagram #
95	120	B	2
100	120	A	2
106	120	B	1
109	120	A	1
120	132	A	1
120	136	B	1
120	144	A	2
120	152	B	2
200	240	C	2
208	236	B	4
212	240	B	4
208	230	A	4
218	240	A	4
225	240	B	3
230	276	C	2
240	252	A	3
240	264	A	4
240	272	B	4
240	288	C	2
437	480	C	4
457	480	C	3
480	504	C	3
480	528	C	4

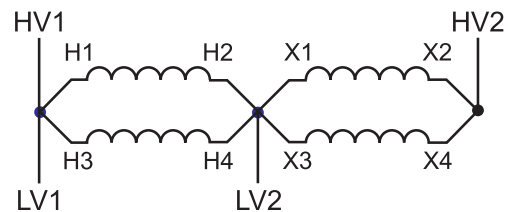
\*

Model A = 120x240V-12/24V

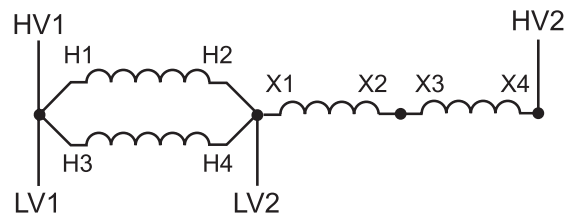
Model B = 120x240V-16/32V

Model C = 240x480V-24/48V

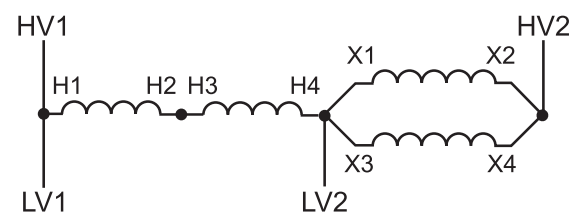
Before installing, confirm unit supports 50Hz or 60Hz as required



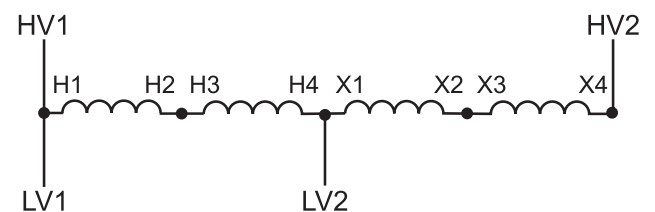
**Diagram 1**



**Diagram 2**



**Diagram 3**



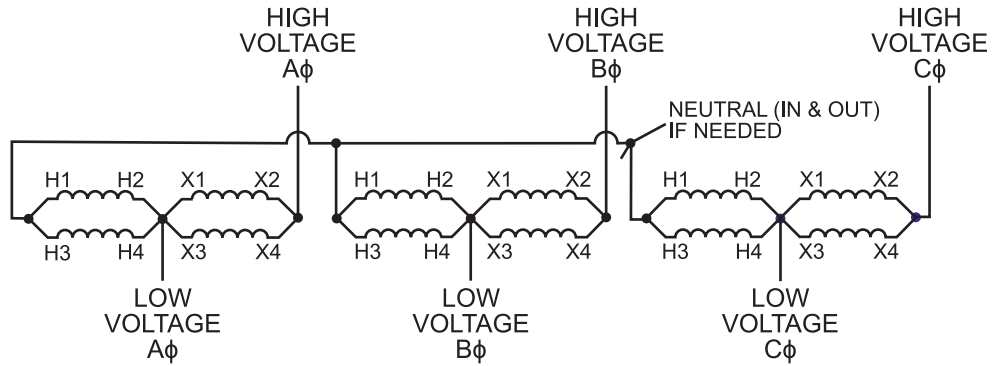
**Diagram 4**

### Open Delta Chart (Requires 2 transformers)

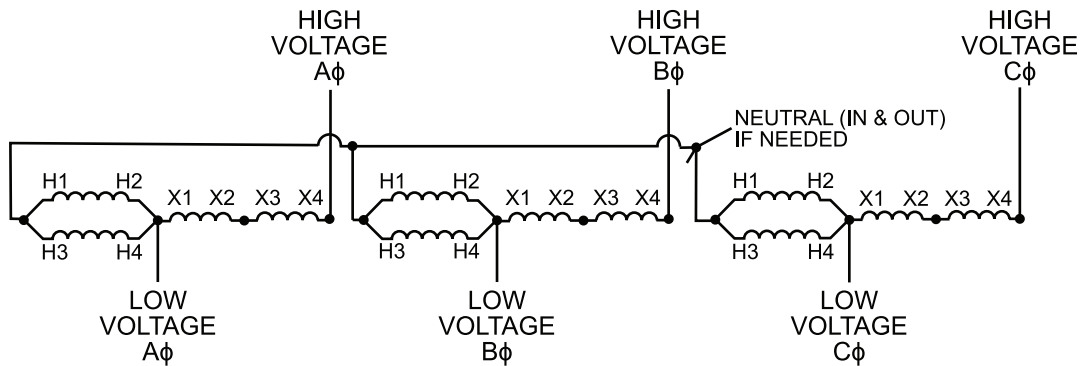
Low Voltage (LV)	High Voltage (HV)	Model #	Diagram #
200	240	C	10
208	236	B	12
212	240	B	12
208	230	A	12
218	240	A	12
225	240	B	11
229	240	A	11
230	253	C	9
230	276	C	10
240	252	A	11
240	264	A	12
240	272	B	12
240	288	C	10
437	480	C	12
457	480	C	11
480	504	C	11
480	528	C	12

### Three-Phase Wye Chart (Requires 3 transformers)

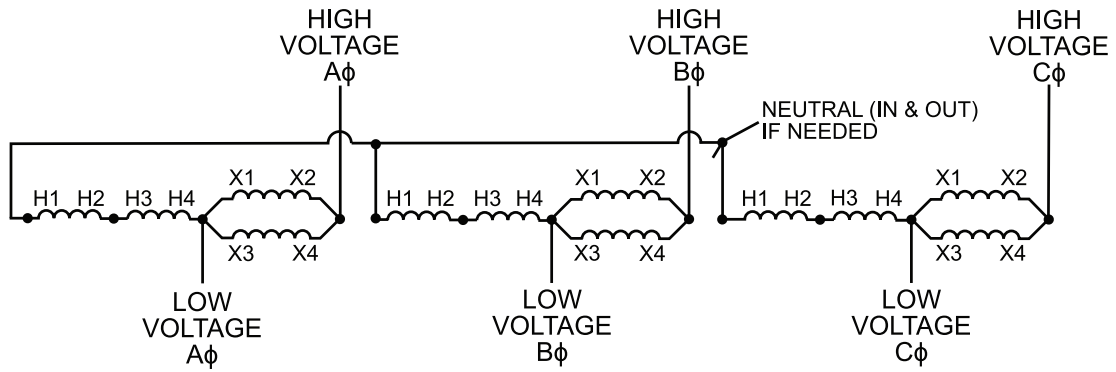
Low Voltage (LV)	High Voltage (HV)	Model #	Diagram #
164 208	208	B	6
173 208	208	A	6
183 208	208	B	5
189 208	208	A	5
208 229	229	A	5
208 235	235	B	5
208 249	249	A	6
208 263	263	B	6
346 416	416	C	6
367 416	416	B	8
378 416	416	A	8
390 416	416	B	7
397 416	416	A	7
398 438	438	C	5
398 478	478	C	6
416 437	437	A	7
416 443	443	B	7
416 457	457	A	8
416 471	471	B	8
416 498	498	C	6



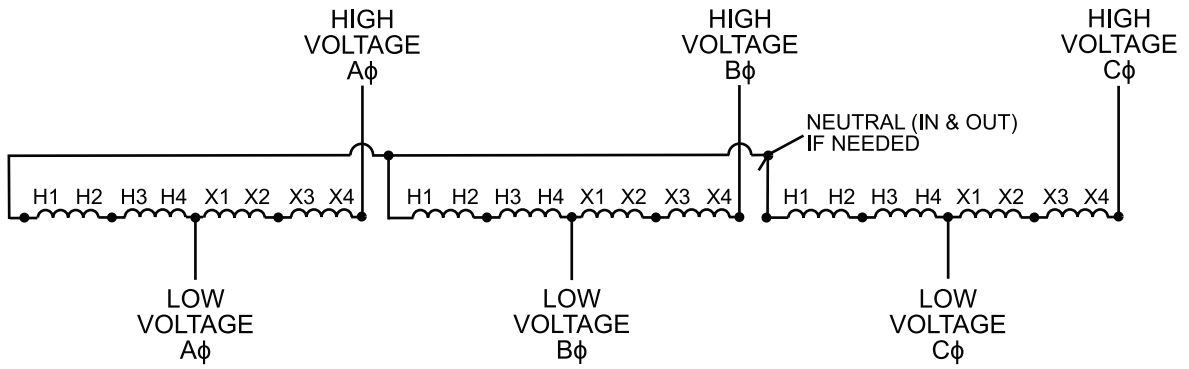
**Diagram 5**



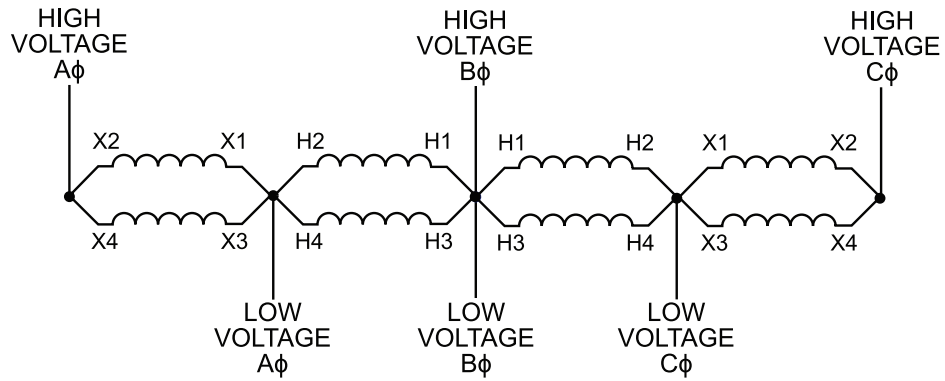
**Diagram 6**



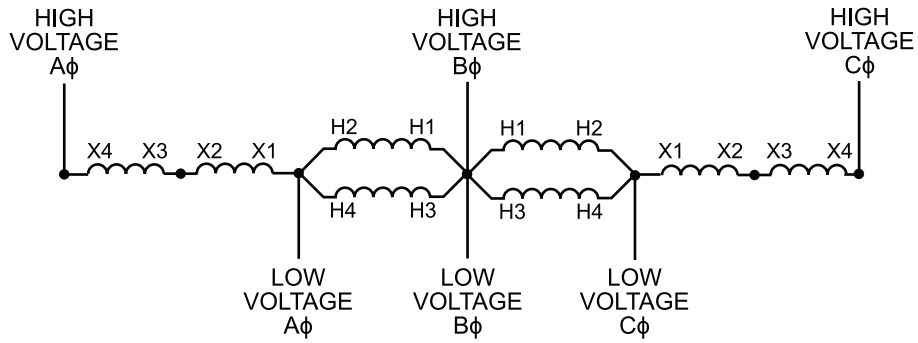
**Diagram 7**



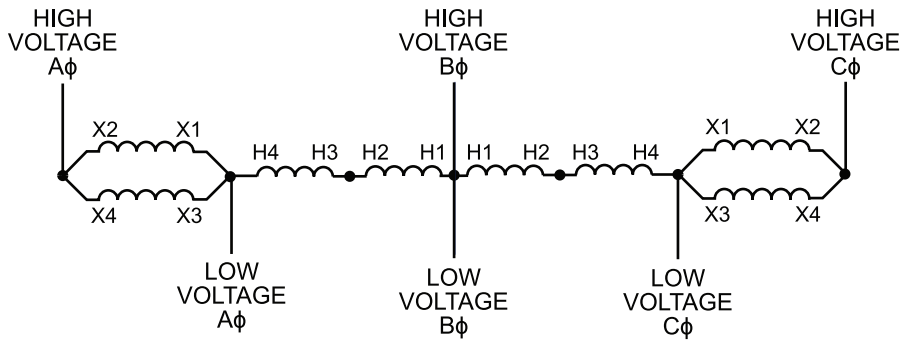
**Diagram 8**



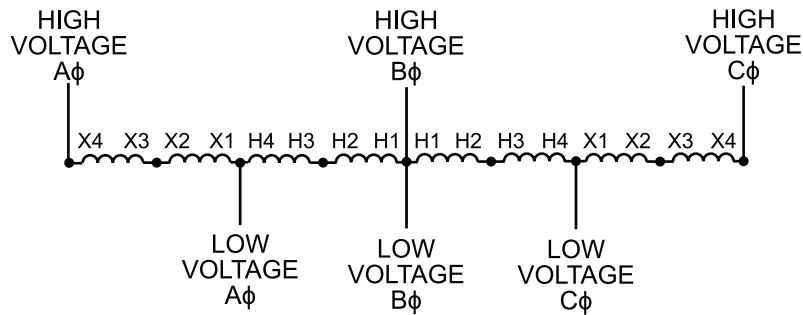
**Diagram 9**



**Diagram 10**



**Diagram 11**



**Diagram 12**



Dry-Type Transformer Division Headquarters  
**JEFFERSON ELECTRIC**  
 800-892-3755  
 jeffersonelectric.com

Canadian Sales Office  
**BEMAG TRANSFORMERS**  
 450-293-8998  
 bemag.ca

Latin American Sales Office  
**TRANSFELEC INDUSTRIAL SA DE CV**  
 +52 (81)1099-5070  
 mfbarahona@gmail.com