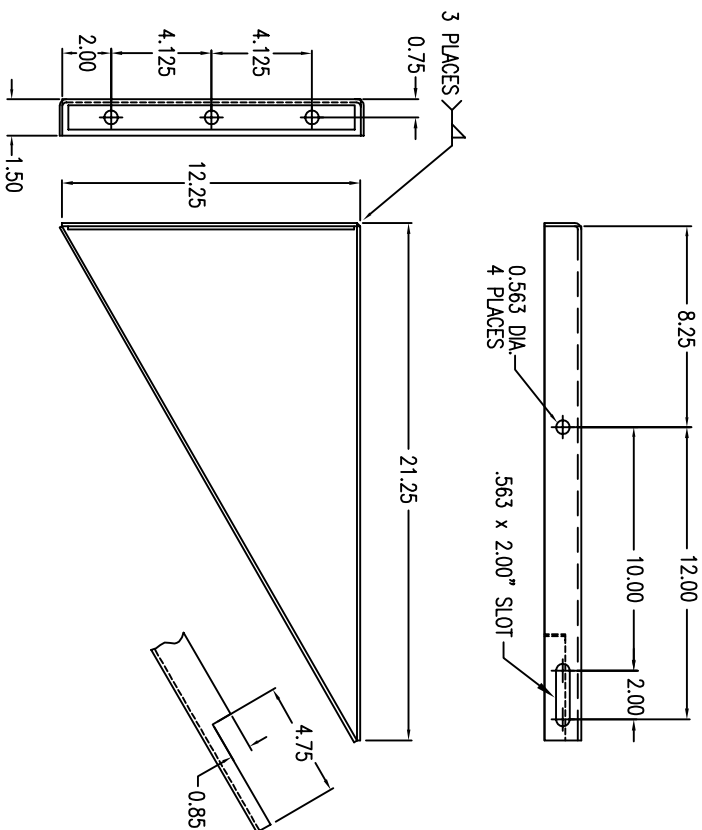
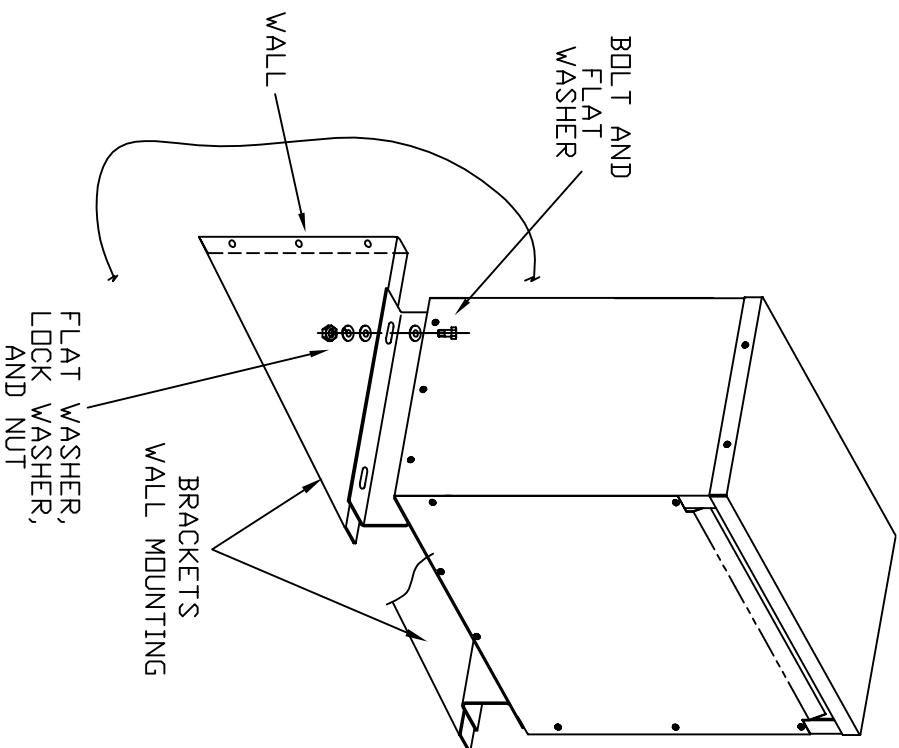


# Jefferson Electric

DRY TYPE TRANSFORMERS

## MOUNTING INSTRUCTIONS

1. PROPERLY SECURE BRACKET TO WALL.
2. USE 1/2-13 HARDWARE AS SHOWN IN EXPLODED VIEW TO SECURE TRANSFORMER TO BRACKETS. TORQUE TO 50 FT.LBS. (DRY), HARDWARE SUPPLIED WITH KIT.



WALL MOUNTING BRACKET  
FOR RIGHT & LEFT HAND SIDE

MATERIAL  
10 GA. (.1345" THK.)  
STEEL ASTM A-366

INSTRUCTION SHEET	
WALL MOUNTED TRANSFORMER	
FOR 15-30KVA, 150°C RISE UNITS	
DWG. NO.	223-7008-030
REV.	A