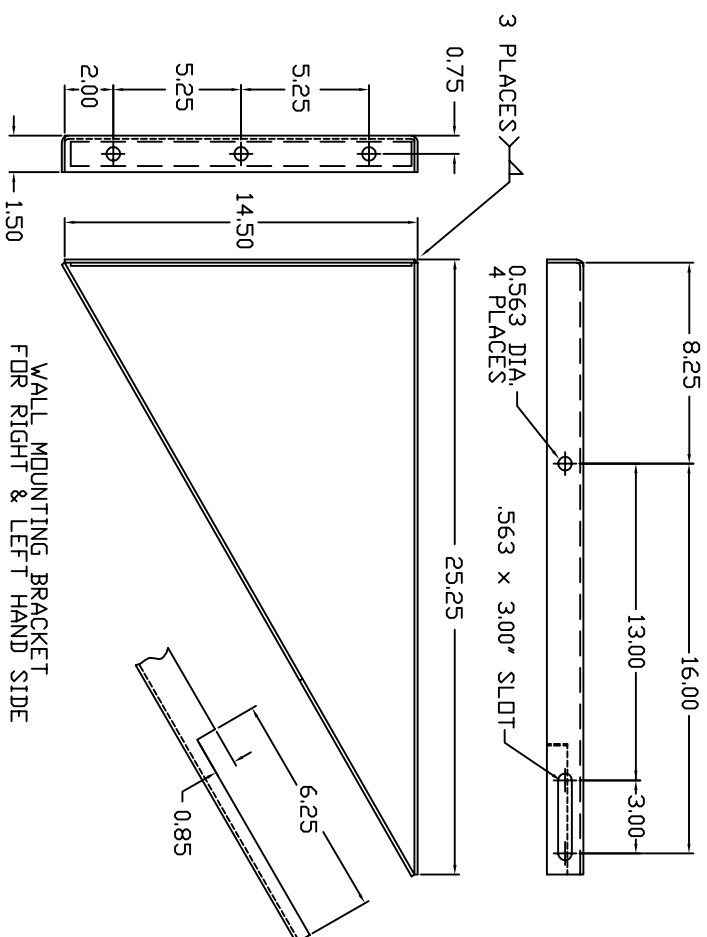
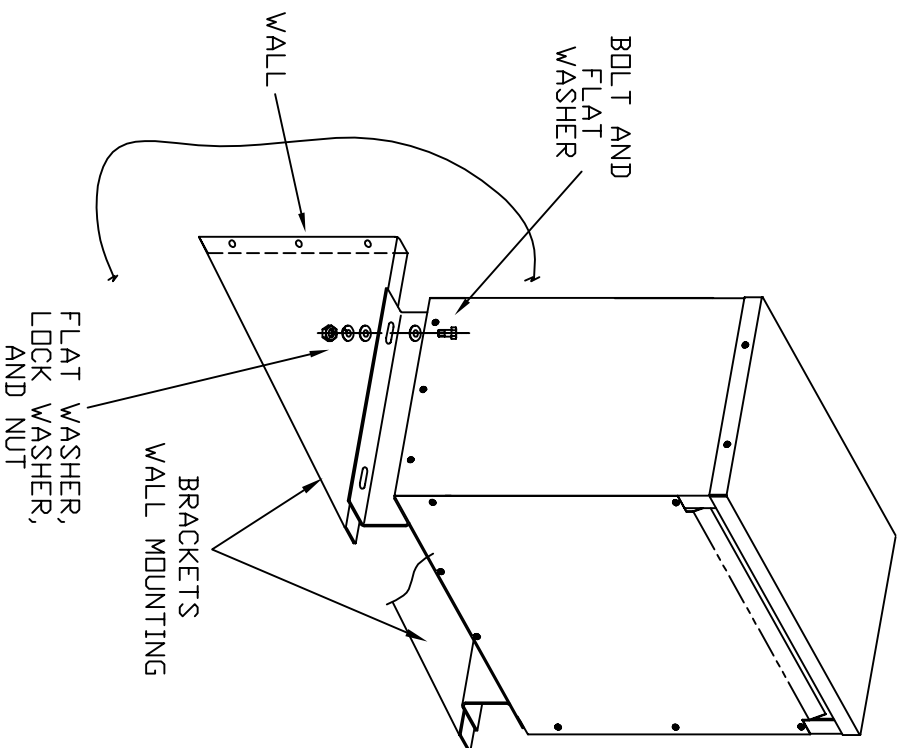


Jefferson Electric

DRY TYPE TRANSFORMERS

MOUNTING INSTRUCTIONS

1. PROPERLY SECURE BRACKET TO WALL.
2. USE 1/2-13 HARDWARE AS SHOWN IN EXPLODED VIEW TO SECURE TRANSFORMER TO BRACKETS. TORQUE TO 50 FT.LBS. (DRY). HARDWARE SUPPLIED WITH KIT.



MATERIAL
10 GA. (.1345\"/>

WALL MOUNTING BRACKET
FOR RIGHT & LEFT HAND SIDE

INSTRUCTION SHEET
WALL MOUNTED TRANSFORMER
FOR 31-75KVA, 150°C RISE UNITS

DWG. NO. 223-7008-075

REV. A