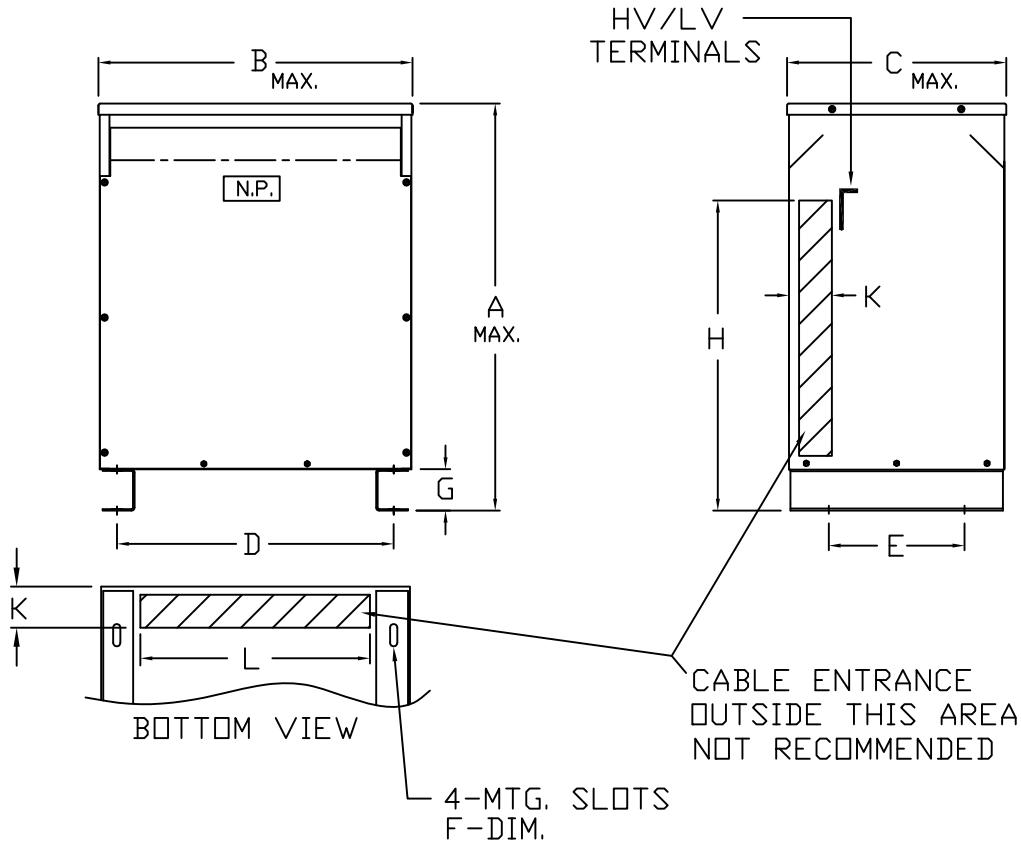


# Jefferson Electric

## DRY TYPE TRANSFORMERS



KVA	TEMP. RISE °C	NET WT. LBS.	DIMENSIONS IN INCHES									
			A	B	C	D	E	F	G	H	K	L
15	115	250	22.00	19.00	16.00	16.38	12.00	.56 x 1.13	3.00	12.00	3.00	13.00
30	115	375	25.00	22.00	17.00	17.38	13.00	.56 x 1.13	3.00	13.00	3.00	15.00
45	115	500	28.00	25.00	18.50	20.75	14.50	.56 x 1.13	3.00	16.00	3.00	17.00
75	115	750	32.00	27.00	21.00	23.50	16.00	.56 x 1.13	3.00	18.00	3.00	20.00
112.5	115	975	38.00	29.00	23.00	25.50	18.00	.56 x 1.13	3.00	20.00	3.00	22.00
150	115	1250	42.00	33.00	26.00	29.50	21.00	.56 x 1.13	3.00	23.00	4.00	25.50
225	115	1650	46.00	35.00	30.00	31.50	25.00	.56 x 1.13	3.00	32.00	5.00	27.50
300	115	2100	52.00	35.00	30.00	31.50	25.00	.56 x 1.13	3.00	32.00	5.00	27.50
500	115	3100	60.00	48.00	33.00	42.00	27.00	.56 x 1.13	4.00	36.00	5.00	34.00
750	115	4900	72.00	52.00	40.00	34.00	42.00	.56 x 1.13	4.00	50.00	5.00	32.00
1000	115	← N/A →										

### NOTES:

1. ALL UNITS ARE UL LISTED AND ARE DESIGNED IN ACCORDANCE WITH ANSI C89.2 AND NEMA ST-20 STANDARDS.
2. THESE TRANSFORMERS UTILIZE A UL RECOGNIZED 220°C INSULATION SYSTEM, TEMPERATURE RISE AS INDICATED IN THE TABLE.
3. TRANSFORMERS ARE DRY TYPE, CLASS AA, VENTILATED ENCLOSURE FOR INDOOR USE. OPTIONAL WEATHER KITS ARE AVAILABLE FOR ADAPTING THE UNIT FOR 3R USE WITHOUT VOIDING THE UL LABEL.
4. PAINT COLOR IS ANSI #61 GRAY.
5. FULL WIDTH COPPER ELECTROSTATIC SHIELD (OPTIONAL).
6. 6' REQUIRED CLEARANCE FROM THE WALLS.
7. HV/LV TERMINALS ARE TOP FRONT TERMINATED.



GENERAL PURPOSE TRANSFORMERS  
THREE-PHASE, 600 VOLTS CLASS, 60 HZ.  
K-FACTOR (1) RATED - COPPER - TP1

PCD 423-115 RISE

REV.  
B