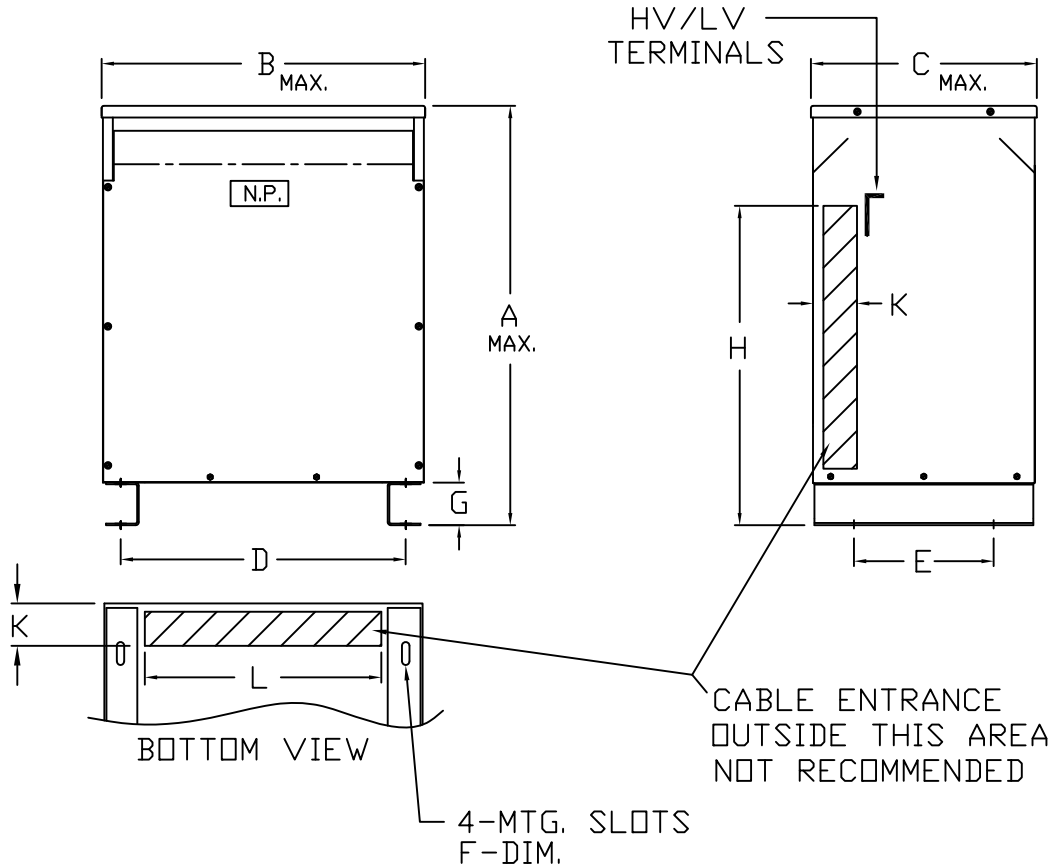


Jefferson Electric

DRY TYPE TRANSFORMERS



KVA	TEMP. RISE °C	NET WT. LBS.	DIMENSIONS IN INCHES									
			A	B	C	D	E	F	G	H	K	L
15	150	210	22.00	19.00	16.00	15.88	12.00	.56 x 1.13	3.00	12.00	3.00	13.00
30	150	310	25.00	22.00	17.00	17.38	13.00	.56 x 1.13	3.00	13.00	3.00	15.00
45	150	400	28.00	25.00	18.50	20.75	14.50	.56 x 1.13	3.00	16.00	3.00	17.00
75	150	585	32.00	27.00	21.00	23.50	16.00	.56 x 1.13	3.00	18.00	3.00	20.00
112.5	150	775	38.00	29.00	23.00	25.50	18.00	.56 x 1.13	3.00	20.00	3.00	22.00
150	150	1000	42.00	33.00	26.00	29.50	21.00	.56 x 1.13	3.00	23.00	4.00	25.50

NOTES:

- ALL UNITS ARE UL LISTED AND ARE DESIGNED IN ACCORDANCE WITH ANSI C89.2 AND NEMA ST-20 STANDARDS.
- THESE TRANSFORMERS UTILIZE A UL RECOGNIZED 220°C INSULATION SYSTEM, TEMPERATURE RISE AS INDICATED IN THE TABLE.
- TRANSFORMERS ARE DRY TYPE, CLASS AA, VENTILATED ENCLOSURE FOR INDOOR USE. OPTIONAL WEATHER KITS ARE AVAILABLE FOR ADAPTING THE UNIT FOR 3R USE WITHOUT VOIDING THE UL LABEL.
- PAINT COLOR IS ANSI #61 GRAY.
- FULL WIDTH COPPER ELECTROSTATIC SHIELD (OPTIONAL).
- 6" REQUIRED CLEARANCE FROM THE WALLS.
- HV/LV TERMINALS ARE TOP FRONT TERMINATED.



GENERAL PURPOSE TRANSFORMERS
THREE-PHASE, 600 VOLTS CLASS, 60 HZ.
K-FACTOR (1) RATED - ALUMINUM - TP1

PCD 423-700A-150

REV. D