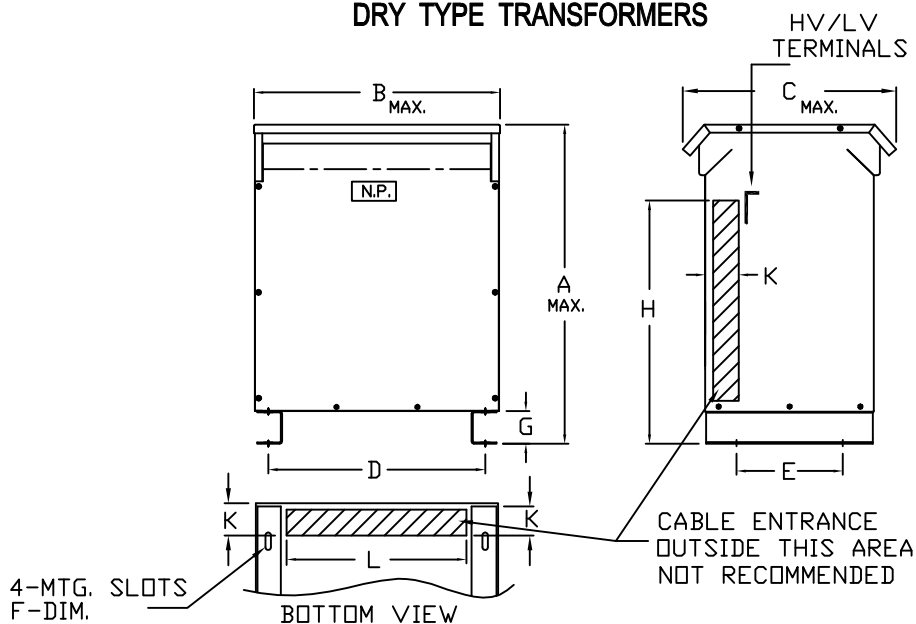


Jefferson Electric

DRY TYPE TRANSFORMERS



| | | | |
|-----------|----------|----------|------------|
| TEMP RISE | K-FACTOR | WINDINGS | EFFICIENCY |
| 150 | K-1 | ALUMINUM | DOE-2016 |

DIMENSIONS IN (E)=INCHES (M)=CENTIMETERS

| KVA | NET WT. LBS. | A | | B | | C | | D | | E | | F | | G | | H | | K | | L | |
|-----|--------------|-------|-------|-------|-------|-------|------|-------|------|-------|------|----------|---------|------|-----|-------|------|------|-----|-------|------|
| | | E | M | E | M | E | M | E | M | E | M | E | M | E | M | E | M | E | M | E | M |
| 15 | 175 | 27.00 | 68.6 | 15.00 | 38.1 | 20.10 | 51.5 | 12.50 | 31.8 | 11.00 | 28.0 | .56x1.13 | 1.4x2.9 | 3.00 | 7.6 | 16.00 | 40.6 | 3.00 | 7.6 | 10.00 | 25.4 |
| 25 | 250 | 29.00 | 73.7 | 17.00 | 43.2 | 22.10 | 56.1 | 14.00 | 35.6 | 13.00 | 33.0 | .56x1.13 | 1.4x2.9 | 3.00 | 7.6 | 19.00 | 48.3 | 3.00 | 7.6 | 10.00 | 25.4 |
| 37 | 375 | 31.00 | 78.7 | 20.00 | 50.8 | 23.10 | 58.7 | 16.87 | 42.8 | 14.00 | 35.6 | .56x1.13 | 1.4x2.9 | 3.00 | 7.6 | 20.00 | 50.8 | 3.00 | 7.6 | 11.00 | 27.9 |
| 50 | 450 | 32.00 | 81.3 | 22.00 | 55.9 | 25.35 | 64.4 | 19.00 | 48.3 | 16.00 | 40.6 | .56x1.13 | 1.4x2.9 | 3.00 | 7.6 | 20.00 | 50.8 | 3.00 | 7.6 | 14.00 | 35.6 |
| 75 | 575 | 34.00 | 86.4 | 22.00 | 55.9 | 27.23 | 69.2 | 19.00 | 48.3 | 16.00 | 40.6 | .56x1.13 | 1.4x2.9 | 3.00 | 7.6 | 22.00 | 55.9 | 3.00 | 7.6 | 16.00 | 40.6 |
| 100 | 700 | 36.00 | 91.4 | 22.00 | 55.9 | 29.23 | 74.2 | 19.00 | 48.3 | 18.00 | 46.0 | .56x1.13 | 1.4x2.9 | 3.00 | 7.6 | 24.00 | 61.0 | 3.00 | 7.6 | 16.00 | 40.6 |
| 150 | 1035 | 55.00 | 139.7 | 34.00 | 86.36 | 37.00 | 94.0 | 30.87 | 78.4 | 25.00 | 63.5 | .56x1.13 | 1.4x2.9 | 3.00 | 7.6 | 24.00 | 61.0 | 3.00 | 7.6 | 16.00 | 40.6 |
| 167 | 1200 | 55.00 | 139.7 | 34.00 | 86.36 | 37.00 | 94.0 | 30.87 | 78.4 | 25.00 | 63.5 | .56x1.13 | 1.4x2.9 | 3.00 | 7.6 | 24.00 | 61.0 | 3.00 | 7.6 | 16.00 | 40.6 |
| 200 | 1245 | 52.0 | 132.0 | 35.00 | 88.9 | 37.0 | 94.0 | 31.50 | 80.0 | 25.00 | 63.5 | .56x1.13 | 1.4x2.9 | 3.00 | 7.6 | 24.00 | 61.0 | 3.00 | 7.6 | 16.00 | 40.6 |
| 250 | 1580 | 52.0 | 132.0 | 35.00 | 88.9 | 37.0 | 94.0 | 31.50 | 80.0 | 25.00 | 63.5 | .56x1.13 | 1.4x2.9 | 3.00 | 7.6 | 24.00 | 61.0 | 3.00 | 7.6 | 16.00 | 40.6 |

NOTES:

- ALL UNITS ARE UL LISTED AND ARE DESIGNED IN ACCORDANCE WITH ANSI C89.2 AND NEMA ST-20 STANDARDS.
- THESE TRANSFORMERS UTILIZE A UL RECOGNIZED 220°C INSULATION SYSTEM.
- TRANSFORMERS ARE DRY TYPE, CLASS AA, VENTILATED ENCLOSURE FOR INDOOR OR OUTDOOR USE.
- FOR LIFTING OTHER THAN WITH FORK TRUCK, REMOVE TOP COVER AND USE CORE CLAMPS.
- PAINT COLOR IS ANSI #61 GRAY.
- FULL WIDTH COPPER ELECTROSTATIC SHIELD (OPTIONAL).
- 6" REQUIRED CLEARANCE FROM THE WALLS.
- HV/LV TERMINALS ARE TOP FRONT TERMINATED.
- NET. WEIGHTS ARE APPROXIMATE.
- MEETS DOE-2016 EFFICIENCY 10 CFR PART 431



GENERAL PURPOSE TRANSFORMERS
SINGLE-PHASE, 600 VOLTS CLASS, 60 HZ.

421-900A-150

REV. B