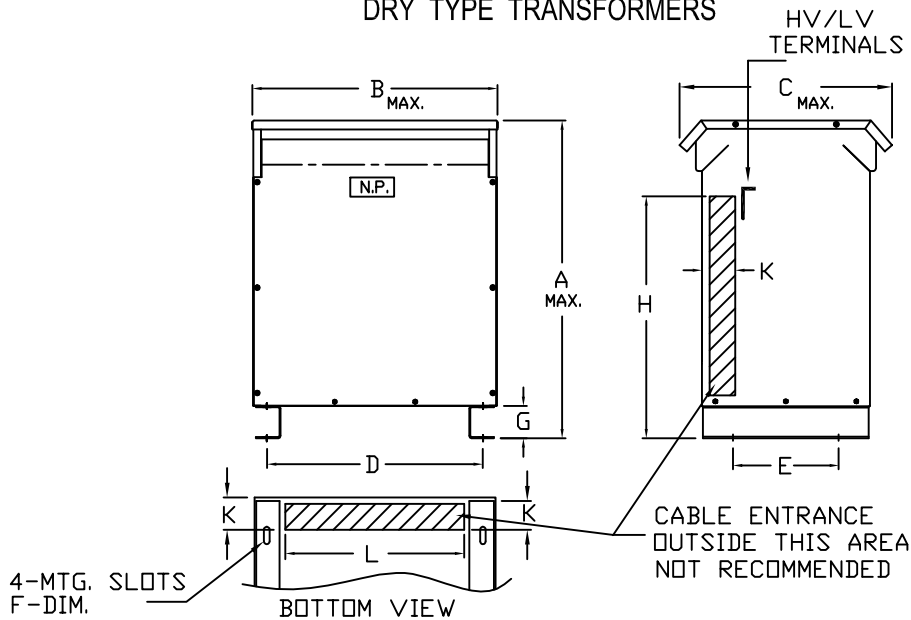


# Jefferson Electric

## DRY TYPE TRANSFORMERS



|           |          |          |            |
|-----------|----------|----------|------------|
| TEMP RISE | K-FACTOR | WINDINGS | EFFICIENCY |
| 115       | K-13     | ALUMINUM | DOE-2016   |

DIMENSIONS IN (E)=INCHES & (M)=CENTIMETERS

| KVA   | NET WT. LBS. | A    |      | B    |      | C    |       | D    |      | E    |      | F        |           | G        |           | H    |      | K    |      | L    |      |
|-------|--------------|------|------|------|------|------|-------|------|------|------|------|----------|-----------|----------|-----------|------|------|------|------|------|------|
|       |              | E    | M    | E    | M    | E    | M     | E    | M    | E    | M    | E        | M         | E        | M         | E    | M    | E    | M    | E    | M    |
|       |              | 15   | 330  | 25.0 | 63.5 | 22.0 | 55.9  | 22.0 | 55.9 | 17.4 | 44.2 | 13.0     | 33.0      | .56x1.13 | 1.42x2.87 | 3.0  | 7.6  | 13.0 | 33.0 | 3.0  | 7.6  |
| 30    | 415          | 28.0 | 71.1 | 25.0 | 63.5 | 23.5 | 59.7  | 20.8 | 52.7 | 14.5 | 36.8 | .56x1.13 | 1.42x2.87 | 3.0      | 7.6       | 16.0 | 40.6 | 3.0  | 7.6  | 17.0 | 43.2 |
| 45    | 585          | 32.0 | 81.3 | 27.0 | 68.6 | 26.0 | 66.0  | 23.5 | 59.7 | 16.0 | 40.6 | .56x1.13 | 1.42x2.87 | 3.0      | 7.6       | 18.0 | 45.7 | 3.0  | 7.6  | 20.0 | 50.8 |
| 75    | 795          | 38.0 | 96.5 | 29.0 | 73.7 | 29.0 | 73.7  | 25.5 | 64.8 | 18.0 | 45.7 | .56x1.13 | 1.42x2.87 | 3.0      | 7.6       | 20.0 | 45.8 | 3.0  | 7.6  | 22.0 | 55.9 |
| 112.5 | 1035         | 42.0 | 107  | 33.0 | 83.8 | 32.5 | 82.6  | 29.5 | 74.9 | 21.0 | 53.3 | .56x1.13 | 1.42x2.87 | 3.0      | 7.6       | 23.0 | 58.4 | 4.0  | 10.2 | 25.5 | 64.8 |
| 150   | 1430         | 46.0 | 117  | 35.0 | 88.9 | 37.0 | 94.0  | 31.5 | 80.0 | 25.0 | 63.5 | .56x1.13 | 1.42x2.87 | 3.0      | 7.6       | 32.0 | 81.3 | 5.0  | 12.7 | 27.5 | 69.9 |
| 225   | 1755         | 52.0 | 132  | 35.0 | 88.9 | 37.0 | 94.0  | 31.5 | 80.0 | 25.0 | 63.5 | .56x1.13 | 1.42x2.87 | 3.0      | 7.6       | 32.0 | 81.3 | 5.0  | 12.7 | 27.5 | 69.9 |
| 300   | 2760         | 60.0 | 154  | 48.0 | 122  | 43.5 | 110.5 | 42.0 | 107  | 27.0 | 68.6 | .56x1.13 | 1.42x2.87 | 4.0      | 10.2      | 36.0 | 91.4 | 5.0  | 12.7 | 34.0 | 86.4 |
| 500   | 4150         | 72.0 | 183  | 52.0 | 132  | 44.0 | 112   | 34.0 | 86.4 | 42.0 | 107  | .56x1.13 | 1.42x2.87 | 4.0      | 10.2      | 50.0 | 127  | 5.0  | 12.7 | 32.0 | 81.3 |
| 750   |              | N/A  |      |      |      |      |       |      |      |      |      |          |           |          |           |      |      |      |      |      |      |
| 1000  |              | N/A  |      |      |      |      |       |      |      |      |      |          |           |          |           |      |      |      |      |      |      |

### NOTES:

- ALL UNITS ARE UL LISTED AND ARE DESIGNED IN ACCORDANCE WITH ANSI C89.2 AND NEMA ST-20 STANDARDS.
- THESE TRANSFORMERS UTILIZE A UL RECOGNIZED 220°C INSULATION SYSTEM.
- TRANSFORMERS ARE DRY TYPE, CLASS AA, VENTILATED ENCLOSURE FOR INDOOR OR OUTDOOR USE.
- FOR LIFTING OTHER THAN WITH FORK TRUCK, REMOVE TOP COVER AND USE CORE CLAMPS.
- PAINT COLOR IS ANSI #61 GRAY.
- FULL WIDTH COPPER ELECTROSTATIC SHIELD (OPTIONAL).
- 6' REQUIRED CLEARANCE FROM THE WALLS.
- HV/LV TERMINALS ARE TOP FRONT TERMINATED.
- NET. WEIGHTS ARE APPROXIMATE.
- MEETS DOE-2016 EFFICIENCY 10 CFR PART 431



GENERAL PURPOSE TRANSFORMERS  
THREE-PHASE, 600 VOLTS CLASS, 60 HZ.

PCD 423-900A-115-K13

REV. A