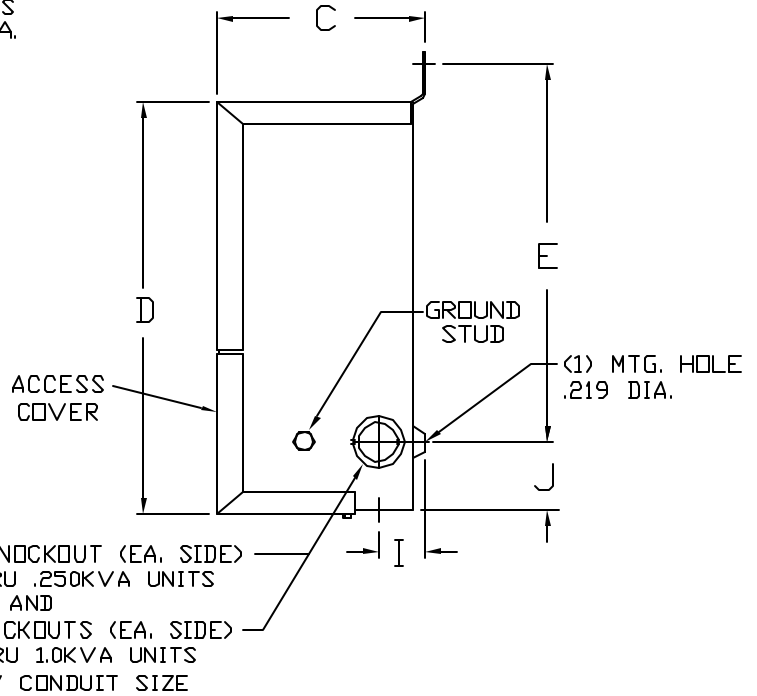
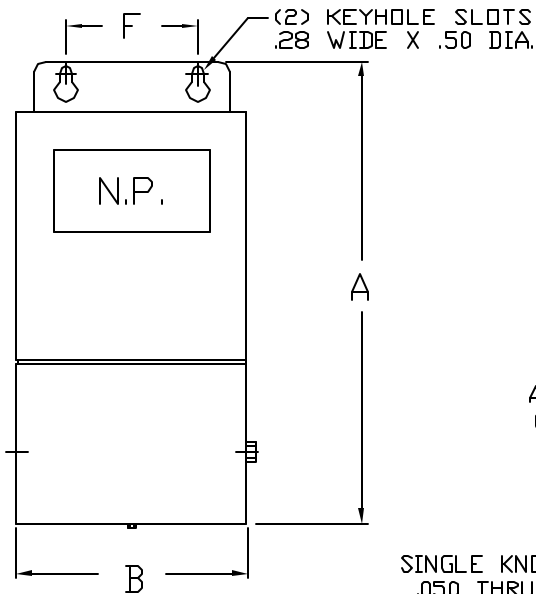
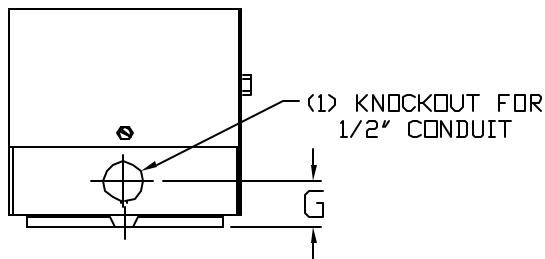


Jefferson Electric

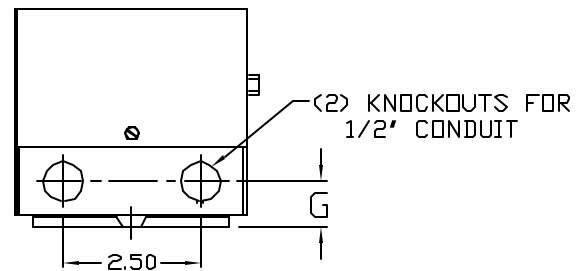
ENCAPSULATED TRANSFORMERS



BOTTOM VIEW OF
.050 THRU .250KVA UNITS



BOTTOM VIEW OF
.500 THRU 1.0KVA UNITS



KVA	TEMP. RISE C°	NET WT. LBS.	HOUSING DIMENSIONS									
			A	B	C	D	E	F	G	H	I	J
.050	95	6	8.03	3.31	3.08	6.81	6.19	2.25	1.00	1/2"	1.00	1.50
.100	95	6	8.03	3.31	3.08	6.81	6.19	2.25	1.00	1/2"	1.00	1.50
.150	95	6	8.03	3.31	3.08	6.81	6.19	2.25	1.00	1/2"	1.00	1.50
.250	95	7	8.03	3.31	3.08	6.81	6.19	2.25	1.00	1/2"	1.00	1.50
.500	95	15	10.19	5.06	4.59	9.06	8.38	2.25	1.00	1/2' & 3/4'	1.25	1.50
.750	95	18	10.19	5.06	4.59	9.06	8.38	2.25	1.00	1/2' & 3/4'	1.25	1.50
1.0	95	19	10.19	5.06	4.59	9.06	8.38	2.25	1.00	1/2' & 3/4'	1.25	1.50

NOTES:

1. ALL UNITS ARE UL LISTED AND DESIGNED IN ACCORDANCE WITH ANSI, NEMA, AND CSA STANDARDS.
2. THESE TRANSFORMERS UTILIZE A UL RECOGNIZED 130°C INSULATION SYSTEM, TEMPERATURE RISE AS INDICATED IN THE TABLE.
3. TRANSFORMERS ARE ENCAPSULATED WITH ELECTRICAL GRADE RESIN IN A NEMA 3R-RATED ENCLOSURE, BUILT IN ACCORDANCE WITH NEMA, ANSI, UL, AND CSA STANDARDS.
4. PAINT COLOR IS ANSI #61 GRAY.



GENERAL PURPOSE TRANSFORMERS
SINGLE-PHASE, 600 VOLTS CLASS, 60 HZ.
ENCAPSULATED - COPPER WOUND

PCD 411-FIGURE-2

REV.
A