

Enclosure Drawings

This is a collection of the drawings for our transformers.

Ventilated units, NEMA 3R

Figure 22

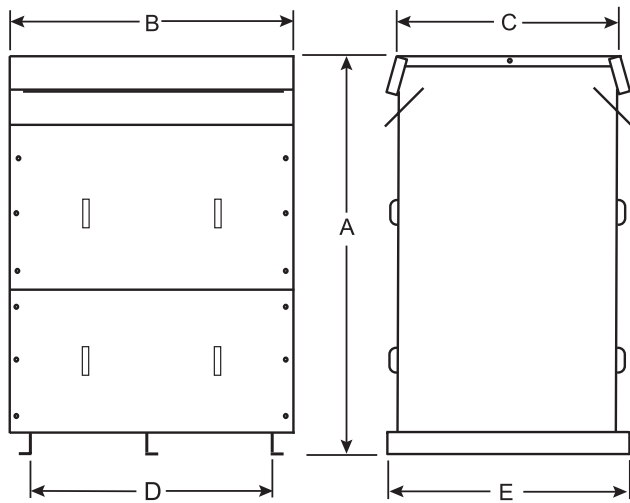
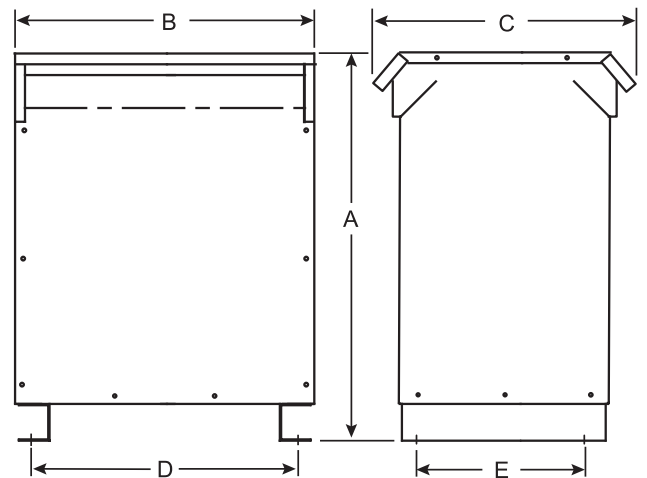
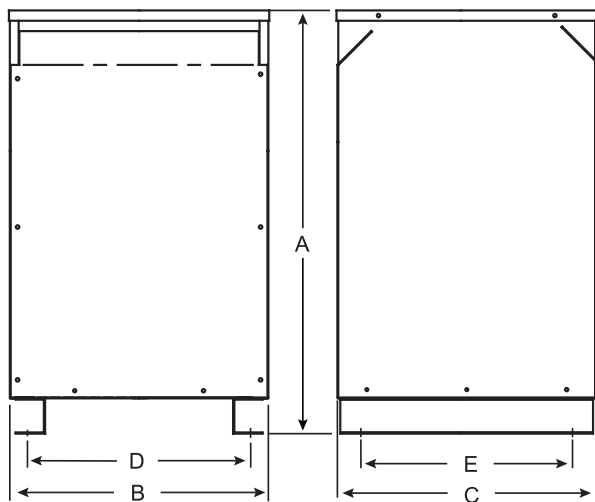


Figure 24



Ventilated units, NEMA 1

Figure 7



Optional weather shields available to modify to NEMA 3R

Encapsulated and BuckBoost units

Figure 2

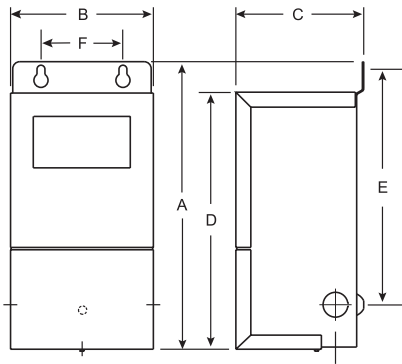


Figure 3

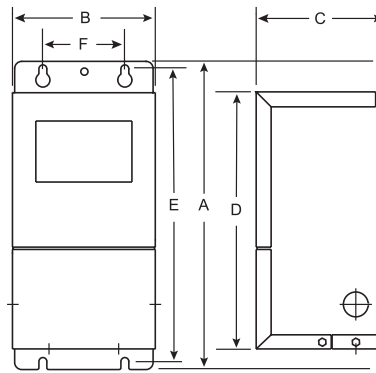
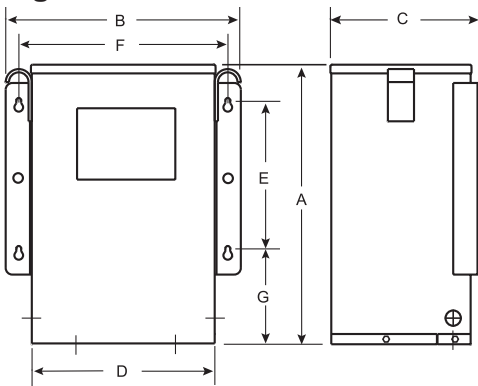
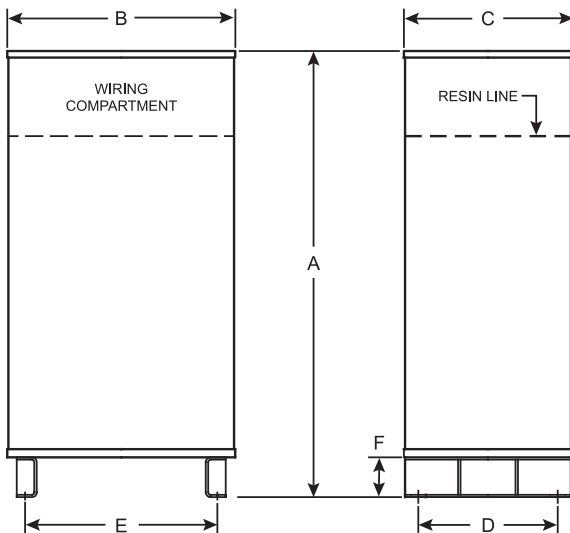


Figure 4



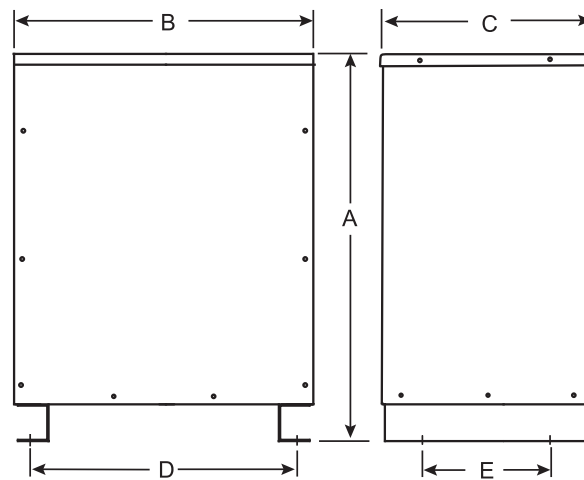
Encapsulated and Class I Div 2

Figure 21



Encapsulated and TENV

Figure 23



Industrial Control units

Figure 30

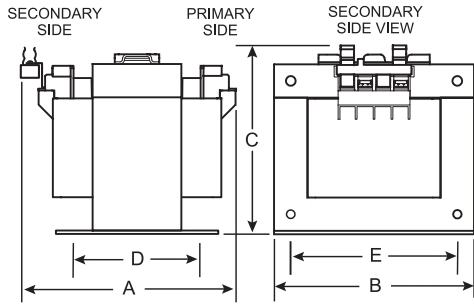
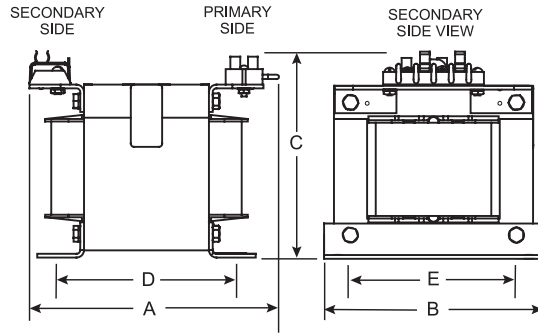


Figure 31



Multi-Pulse units

Figure 35 (Typical 12-Pulse unit)

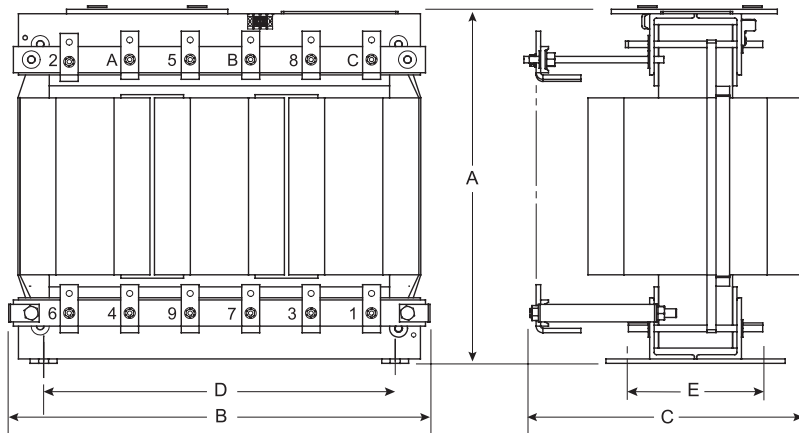
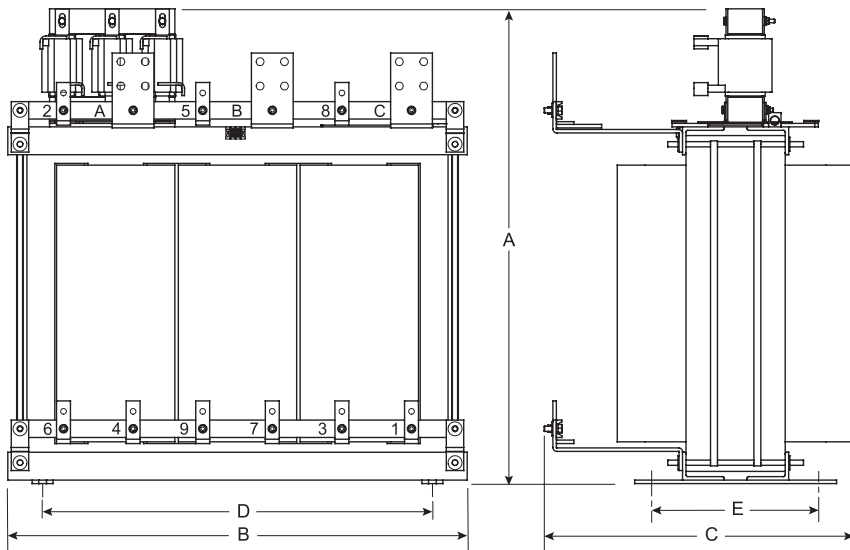


Figure 36 (Typical 18-Pulse unit)



Harmonic Suppression Systems

Figure 33 (SystemMax or GenMax)

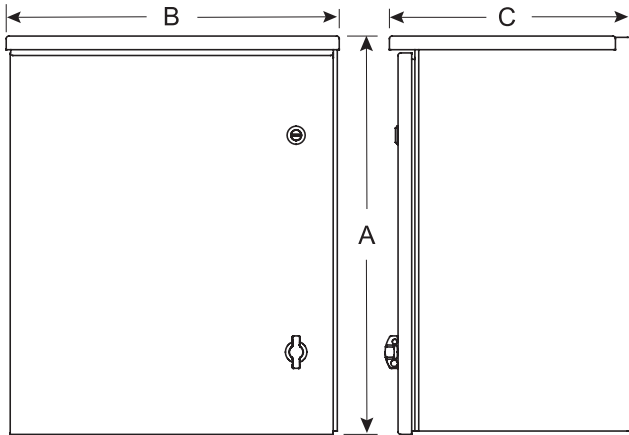


Figure 37 (SystemMax or GenMax)

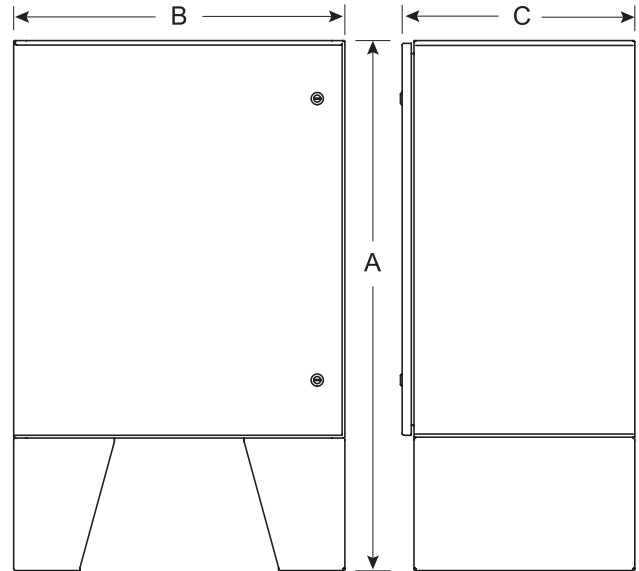
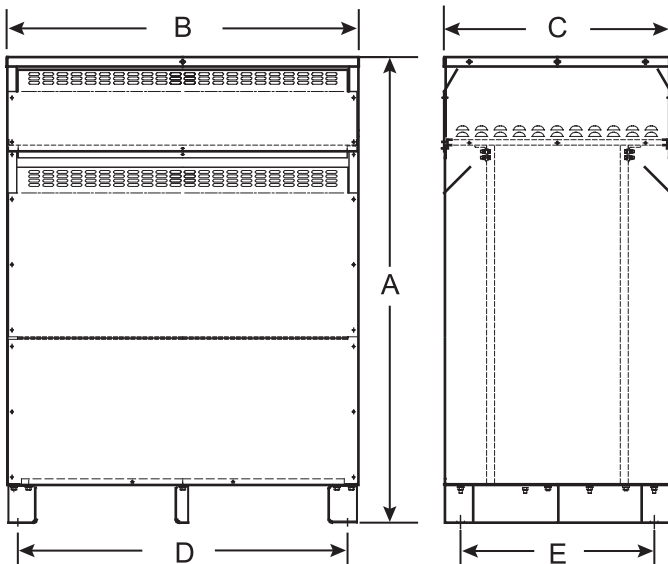


Figure 34 (TransMax)



Medium Voltage sample unit

Each of our medium voltage transformers is custom designed to meet specifications. This drawing provided as an example of the basic configuration of a typical unit.

