

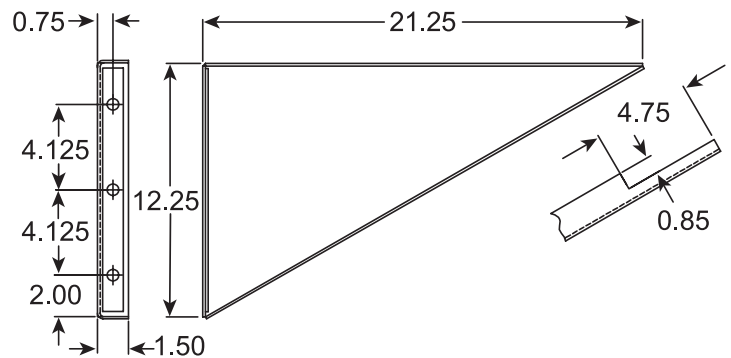
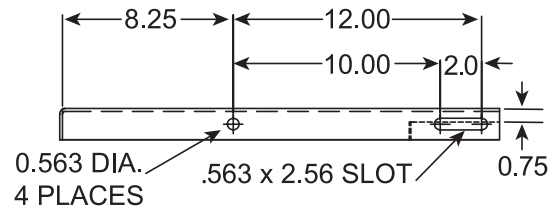
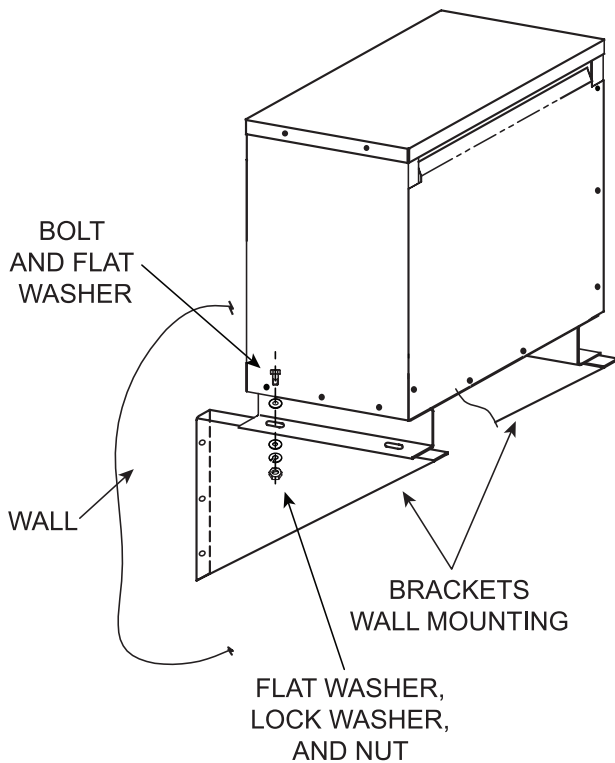
WALL BRACKET MOUNTING INSTRUCTIONS

1. Properly secure bracket to wall.
Wall mounting fasteners are not included.
2. Use 1/2-13 hardware as shown in exploded view to secure transformer to brackets.
Torque to 50 ft.lbs. (dry).
This hardware is supplied with kit.

223-7008-030

For use with 15kVA
Single- and Three-Phase Transformers

Material: #10 Ga (.1345" thick)
ASTM A-366 Commercial Quality Steel (C.R.S.)



Wall Mounting Bracket for right and left hand side