

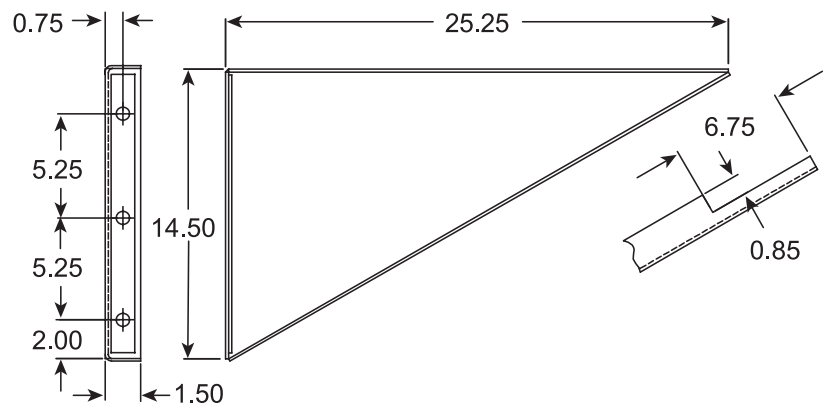
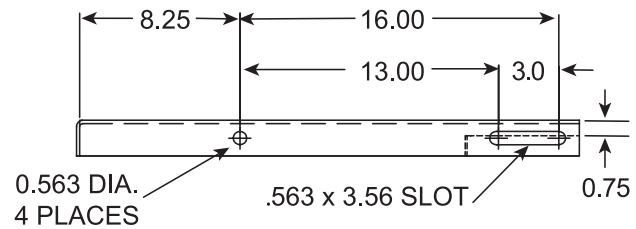
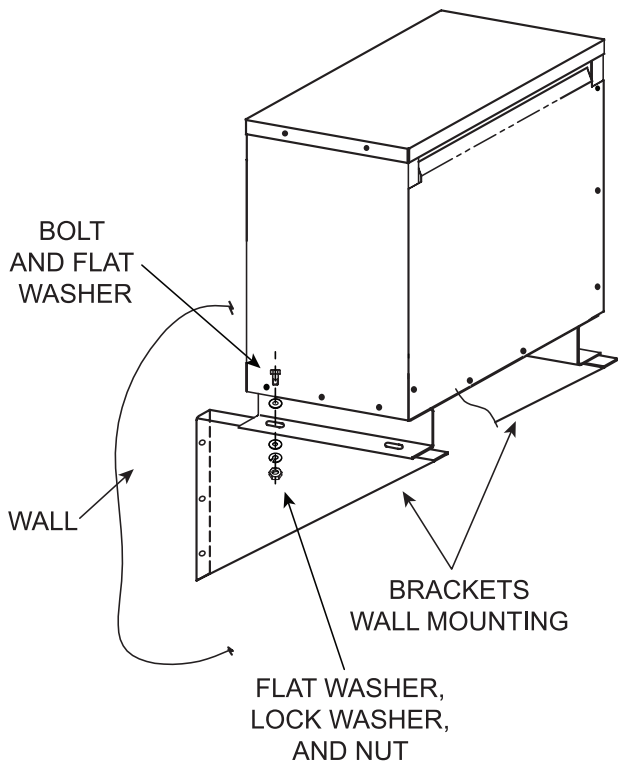
# WALL BRACKET MOUNTING INSTRUCTIONS

1. Properly secure bracket to wall.  
Wall mounting fasteners are not included.
2. Use 1/2-13 hardware as shown in exploded view to secure transformer to brackets.  
Torque to 50 ft.lbs. (dry).  
This hardware is supplied with kit.

## 223-7008-075

For use with 25 – 75 kVA Single-Phase and  
30 – 75 kVA Three-Phase Transformers

Material: #10 Ga (.1345" thick)  
ASTM A-366 Commercial Quality Steel (C.R.S.)



Wall Mounting Bracket for right and left hand side

