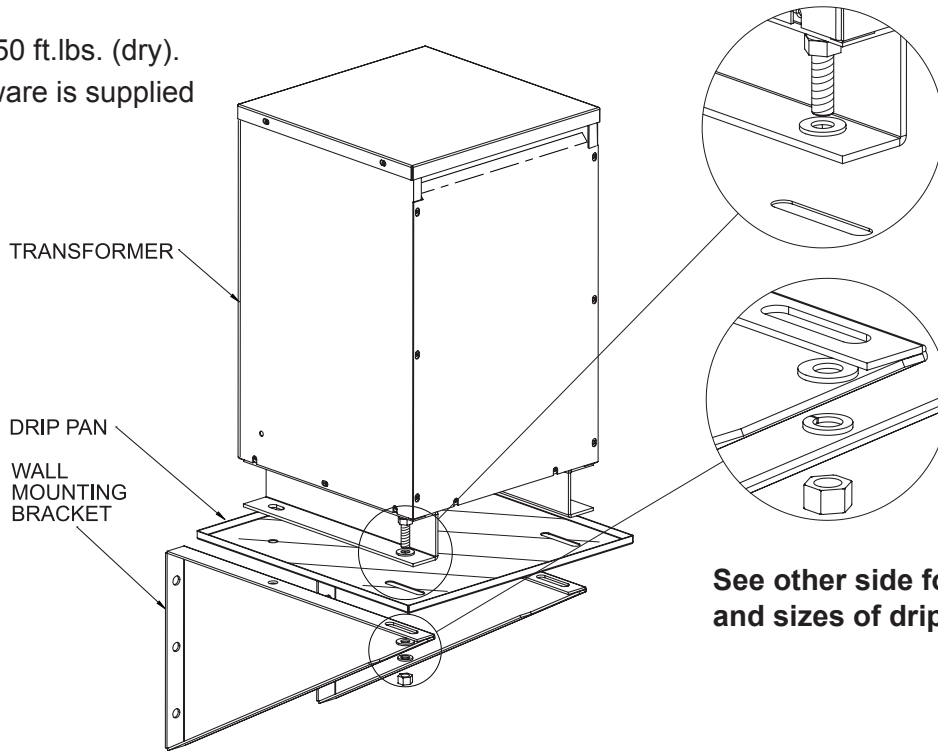


# DRIP PAN AND WALL BRACKET MOUNTING INSTRUCTIONS

1. Properly secure bracket to wall.  
Wall mounting fasteners are not included.
2. Use 1/2-13 hardware as shown in exploded view to secure drip pan and transformer to brackets.  
Torque to 50 ft.lbs. (dry).  
This hardware is supplied with kit.

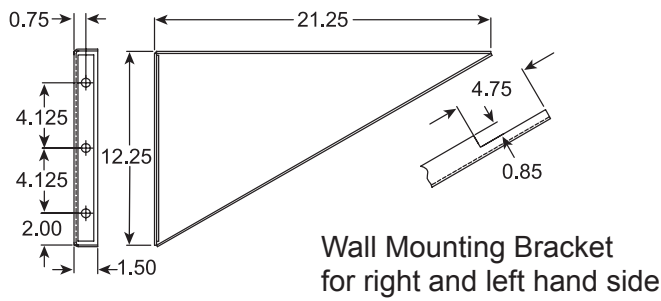
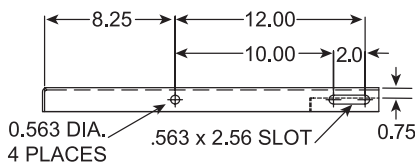
Bracket Material: #10 Ga (.1345" thick)  
ASTM A-366 Commercial Quality Steel (C.R.S.)



See other side for model numbers and sizes of drip pan options

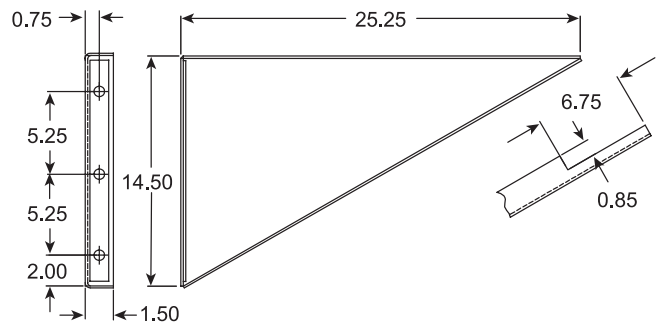
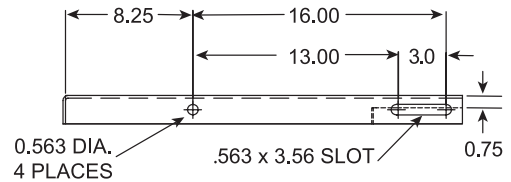
## Bracket 223-7008-030

For use with 15kVA 1- and 3-Phase Transformers



## Bracket 223-7008-075

For use with 25 – 75 kVA 1-Phase and  
30 – 75 kVA 3-Phase Transformers



# DRIP PAN AND WALL BRACKET ORDERING INFORMATION

| Drip Pan Catalog Number | Transformer footprint (inches) | Reference kVAs     | Bracket set (included in kit) |
|-------------------------|--------------------------------|--------------------|-------------------------------|
| 400-4701-222            | 15 x 20.5                      | 15                 | 223-7008-030                  |
| 400-4701-223            | 17 x 22.5                      | 15, 25             | 223-7008-075                  |
| 400-4701-224            | 20 x 23.5                      | 25, 37.5           | 223-7008-075                  |
| 400-4701-225            | 22 x 25.5                      | 37.5, 50, 75       | 223-7008-075                  |
| 400-4701-226            | 19 x 21                        | 14, 15, 20         | 223-7008-030                  |
| 400-4701-227            | 22 x 22 or<br>22 x 17          | 15, 27, 30 34      | 223-7008-075                  |
| 400-4701-228            | 25 x 23.5                      | 15, 30, 40, 45, 51 | 223-7008-075                  |
| 400-4701-229            | 27 x 21 or<br>27 x 26          | 15, 30, 45, 63, 75 | 223-7008-075                  |

Reference kVA for K1, 150°C rise design.

Enclosure size varies depending on various factors including temperature rise, K-factor and special features.

**See other side for mounting instructions**

