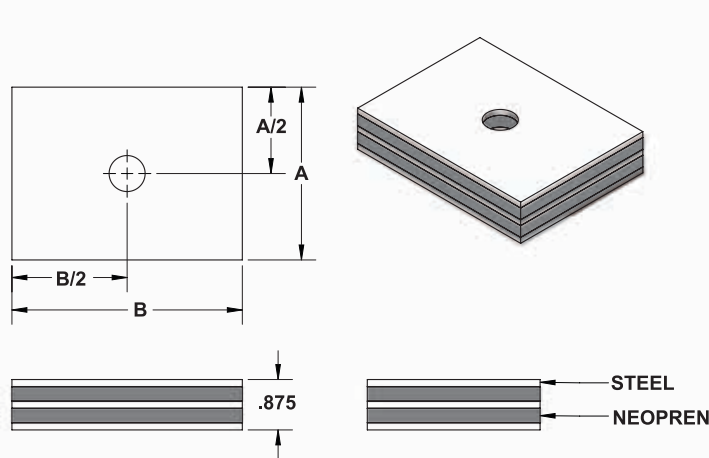


ANTI-VIBRATION PADS INFORMATION SHEET

EXTERNAL ANTI-VIBRATION PADS

Heavy-duty pads to reduce vibrations and noise. Pads can be specified on custom units, or can be ordered as desired.



Item #	A (in)	B (in)	Max Wgt /pad (lb)	Max Unit Wgt (lb)	Ref. kVA
4PT-VP23-JXE	2.0	3.0	360	1,440	112.5
4PT-VP43-JXE	4.0	3.0	720	2,880	300
4PT-VP66-JXE	6.0	6.0	2,160	8,640	1,000

4 pads per item #

INTERNAL ANTI-VIBRATION PADS

Pads to reduce internal vibrations and noise. These are included installed on all standard ventilated enclosed units, and are provided separately for open core and coil units, to be installed on site.

Sets can be ordered for replacement and as desired.

Item #	A (in)	B (in)	C (in)
4PT-7150-VIB	1.75	1.75	.3125
4PT-7300-VIB	3.0	3.0	.3125

4 pads per item #

