

WEATHER SHIELDS INFORMATION AND INSTALLATION INSTRUCTIONS

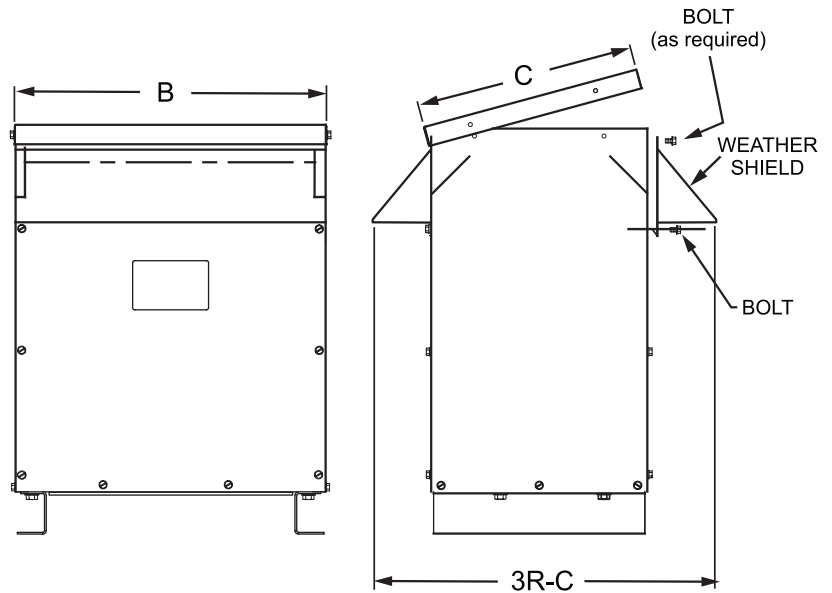
Weather shield sets can be ordered to make NEMA 1 enclosures NEMA 3R rated.

Listed kVAs are for units with 150°C temperature rise and K-1 rating.

Use dimensions for units with other characteristics. Use the online **Product Specifier†** to find unique unit specifications.

MOUNTING INSTRUCTIONS

- 1.** Unscrew the bolts as required on front of unit
- 2.** Insert the weather shield under top cover
- 3.** Secure weather shield with bolts supplied with kit
- 4.** Repeat steps to install shield on rear of unit



kVA*	Weather Shield Part Number	B (in) Width	C (in) Depth	Depth 3R-C includes shield
SINGLE PHASE				
15	421-0007-015	15.0	15.0	22.0
25	421-0007-017	17.0	17.0	24.0
37.5	421-0007-020	20.0	18.0	25.0
50	421-0007-022	22.0	20.0	27.0
75	421-0007-022	22.0	22.0	29.0
100	421-0007-022	22.0	24.0	31.0
THREE PHASE				
15	423-0007-019	19.0	16.0	23.0
30	423-0007-022	22.0	17.0	24.0
45	423-0007-025	25.0	18.5	25.5
75	423-0007-027	27.0	21.0	28.0
112.5	423-0007-029	29.0	23.0	31.0
150	423-0007-033	33.0	26.0	34.0
225	423-0007-035	35.0	30.0	38.0
300	423-0007-035	35.0	30.0	38.0
500	423-0007-048	48.0	33.0	43.5
1,000	423-0007-066	66.0	44.0	61.0

* 150°C Rise, K-1, Reference

† <https://quote.jeffersonelectric.com/productspecifier/home>



800-892-3755



jeffersonelectric.com



bemag.ca

004-0997-000
LIT318-0919