

REPLACEMENT ENCLOSURE PARTS INFORMATION SHEET

1-Phase Ventilated NEMA 3R Enclosures

HOW TO ORDER REPLACEMENT PARTS

Find your kVA on the label

Double check the width of your panel(s) you need to replace.

Order a label*, #400-4602-352 (free of charge) if you are replacing the front panel.

Replacement parts are for ONE PANEL only.

Replace as many panels as needed, ordering two of one number if you need front and back or two sides.

Unit Catalog

JEFFERSON ELECTRIC
PIONEER TRANSFORMERS

High Voltage: 240 X 480 Low Voltage: 120/240

Phase 1 Hz 60 %IZ 6.4 Rise 150 °C Ins. Class 220 °C Weight 520 lbs Class AA Wire Al

Lines on H1 & H2 (Connect Left to Right Taps)

Connect	1-2	3-2	3-4	5-4	5-6	7-6	7-8
H Volts	504	492	480	468	456	444	432

Meets DOE-2016 Efficiency

421 Series

L Volts	Low Voltage Connections			Line to Coil Taps (Left to H2, Right to H1)					
	X2-X3	X2-X3	X1-X3 X2-X4	Connect	H2 to	1	3	5	7
Interconnect	X2-X3	X2-X3	X1-X3 X2-X4	H1 to	2	4	6	8	
L V Lines	X1-X4	X1-X2-X4	X1-X4	H Volts	252	240	228	216	

Datecode: R17 Job#: MX2616 SN#: 0001

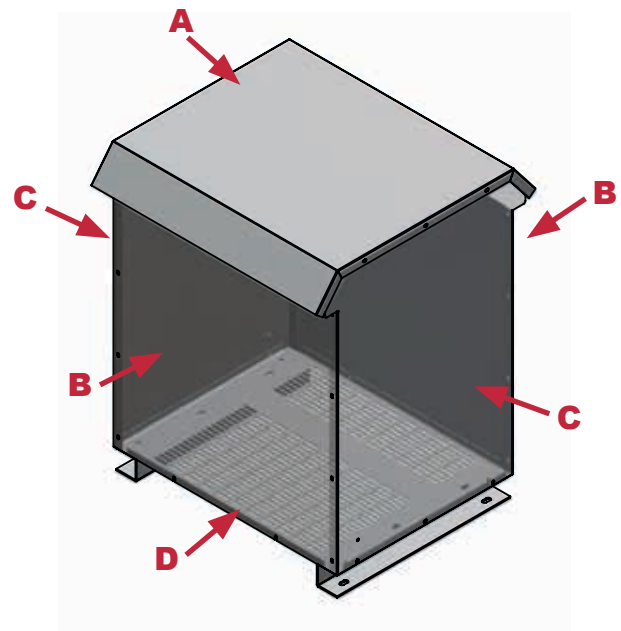
PART DESCRIPTION

Here are the available parts that you can order to replace damaged enclosure parts.

- A** Top cover
- B** Front and back panels
- C** Left and right side panels
- D** Base, including feet

Remember to order* a (free) replacement label if you replace the front panel,

* Supply a photo of the label on the panel you are replacing. Clearly show the Catalog #, Job # and SN # if they have not been damaged.



REPLACEMENT ENCLOSURE PARTS INFORMATION SHEET

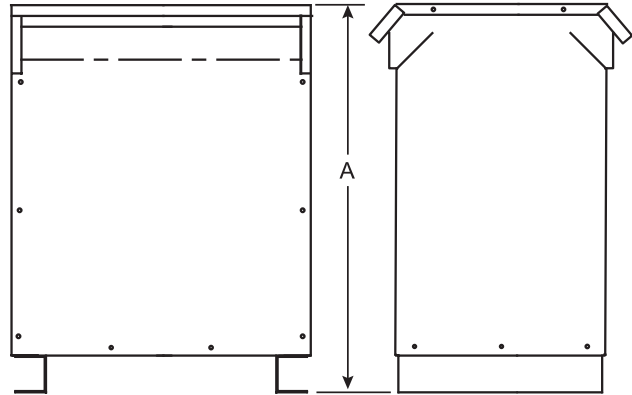
1-Phase Ventilated NEMA 3R Enclosures

REFERENCE kVA

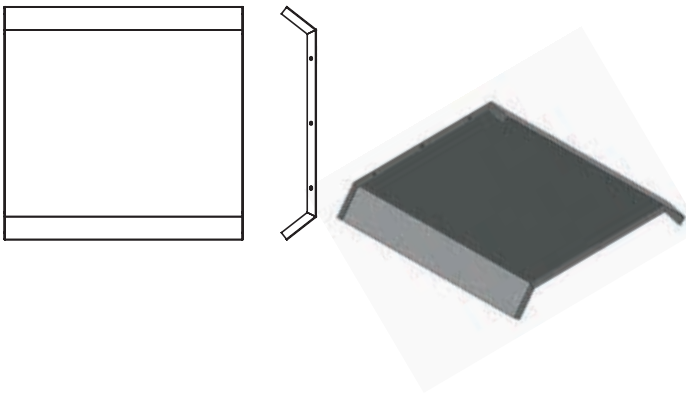
Our single phase enclosures are based on the height of the units. This is our "A" dimension.

The "Reference kVA" is for standard units. Units with atypical specifications (K factor, low temperature, etc.) may have a different "A" measurement than the kVA in the charts provided.

Please measure your unit before ordering parts.



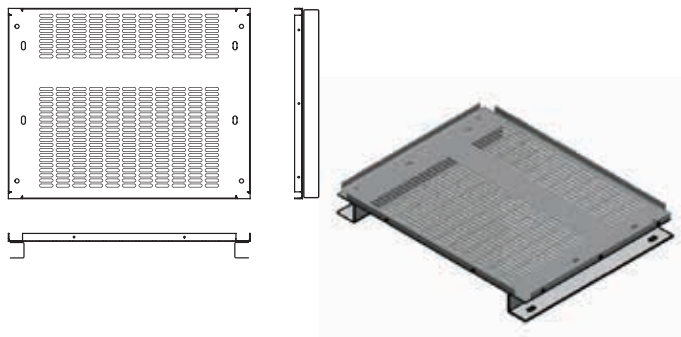
TOP COVER



Top cover with built in drip shields.

Catalog #	A (in)	Reference kVA
400-4705-115	27.0	15
400-4705-116	29.0	25
400-4705-117	31.0	37.5
400-4705-118	32.0	50
400-4705-119	34.0	75
400-4705-120	36.0	100
400-4705-121	55.0	150

BASE WITH FEET



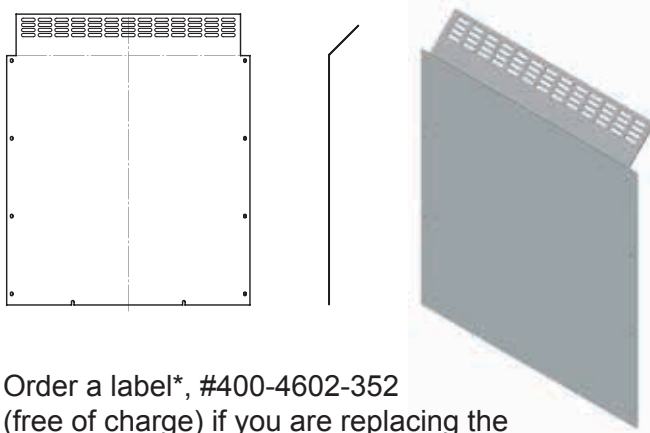
Replacement part includes base plus feet.

Catalog #	A (in)	Reference kVA
400-4705-062	27.0	15
400-4705-063	29.0	25
400-4705-064	31.0	37.5
400-4705-065	32.0	50
400-4705-066	34.0	75
400-4705-067	36.0	100
400-4705-068	55.0	150

REPLACEMENT ENCLOSURE PARTS INFORMATION SHEET

1-Phase Ventilated NEMA 3R Enclosures

FRONT AND BACK PANELS



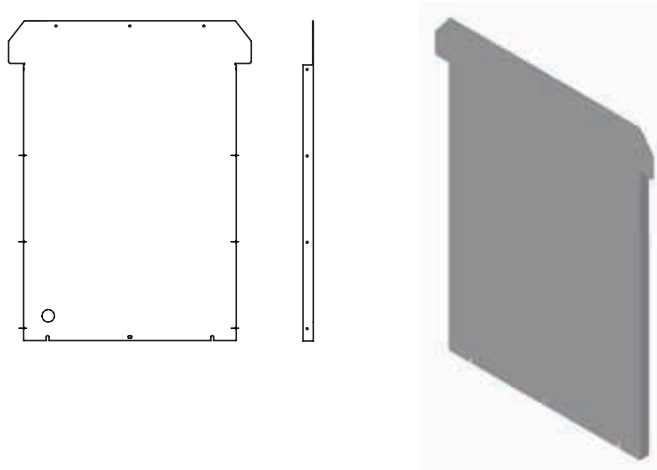
Order a label*, #400-4602-352 (free of charge) if you are replacing the front panel.

* Supply a photo of the label on the panel you are replacing. Clearly show the Catalog #, Job # and SN # if they have not been damaged.

Replacement panels with angled air vents, one piece construction.

Catalog #	A (in)	Reference kVA
400-4705-035	27.0	15
400-4705-036	29.0	25
400-4705-045	31.0	37.5
400-4705-046	32.0	50
400-4705-047	34.0	75
400-4705-048	36.0	100
400-4705-049	55.0	150

LEFT/RIGHT SIDE PANELS



Replacement panels with angled air vents, one piece construction.

Catalog #	A (in)	Reference kVA
400-4705-051	27.0	15
400-4705-052	29.0	25
400-4705-053	31.0	37.5
400-4705-054	32.0	50
400-4705-055	34.0	75
400-4705-056	36.0	100
400-4705-057	55.0	150