

Rodent Screens

Protective feature to protect your equipment

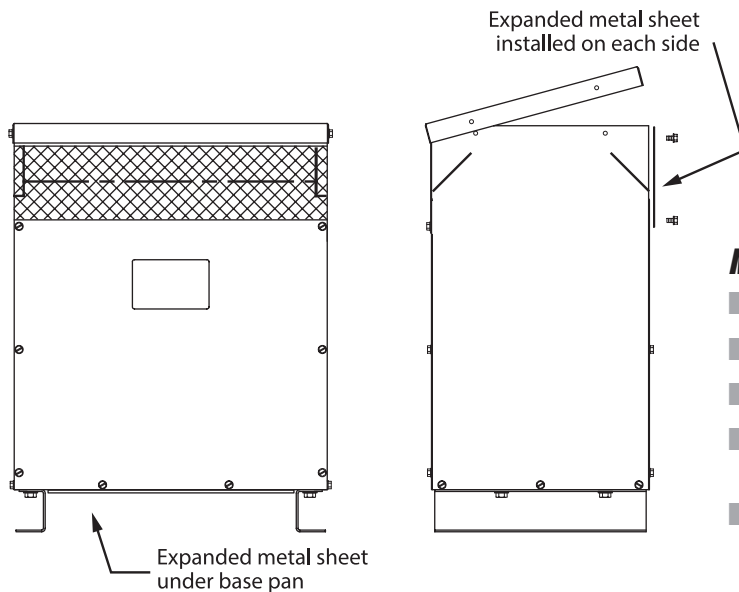
Jefferson Electric offers extra protection from unwanted entry of birds and animals with rodent screens.

Rodent screens can be installed at the factory on custom ventilated units in sizes 15 to 500 kVA. For field installation of rodent screens, kits are available for our line of ventilated units. We provide a kit including nuts and bolts for installation.

Installation is simple; see instructions below.

INSTALLATION KITS

Kit Number	kVA
4PT-7006-JXV	15
4PT-7007-JXV	30
4PT-7003-JXV	45
4PT-7002-JXV	75
4PT-7008-JXV	112.5
4PT-7001-JXV	150
4PT-7004-JXV	225
4PT-7009-JXV	300
4PT-7005-JXV	500



MOUNTING INSTRUCTIONS

- Remove the screws on front and back of unit
- Insert expanded metal under top cover at front and back
- Secure metal sheet with screws, replace top and secure
- Install expanded metal sheet under bottom base pan between mounting channels
- Secure in place using slots and bottom base pan with .25" hardware

For more information on Jefferson Electric's rodent screens, please contact your representative or our office.