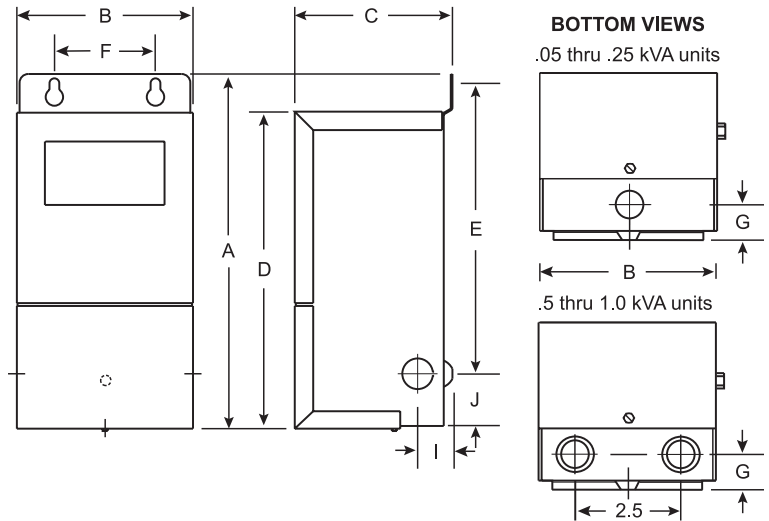


STANDARD ENCLOSURE AND MOUNTING DIMENSIONS

General Purpose Transformer, NEMA 3R, single phase, 600V, 95°C rise

General Specifications

Type:	Encapsulated
Temp Rise:	95°C
Windings:	Copper or Aluminum
Resin:	Industrial grade, UL and CSA approved
Efficiency:	Exempt
Knockouts:	.88" hole for 1/2" conduit 1.13" hole for 3/4" conduit Single or dual knockouts as indicated



Measurements in inches/pounds below;
metric dimensions on other side.

Dimensions in inches											
kVA	Net Wt (lbs)	A	B	C	D	E	F	G	H (conduit)	I	J
.05	6	8.0	3.3	3.1	6.8	6.2	2.25	1.0	1/2"	1.0	1.5
.10	6	8.0	3.3	3.1	6.8	6.2	2.25	1.0	1/2"	1.0	1.5
.15	6	8.0	3.3	3.1	6.8	6.2	2.25	1.0	1/2"	1.0	1.5
.25	7	8.0	3.3	3.1	6.8	6.2	2.25	1.0	1/2"	1.0	1.5
.50	15	10.2	5.1	4.6	9.1	8.4	2.25	1.0	1/2" & 3/4"	1.25	1.5
.75	18	10.2	5.1	4.6	9.1	8.4	2.25	1.0	1/2" & 3/4"	1.25	1.5
1.0	19	10.2	5.1	4.6	9.1	8.4	2.25	1.0	1/2" & 3/4"	1.25	1.5

Housing dimensions subject to change without notice. Consult factory where dimensions are critical.

NOTES:

- All units are UL listed and are designed in accordance with ANSI C89.2 and NEMA ST-20 standards
- These transformers utilize a UL recognized 130°C insulation system, temperature rise as indicated
- Transformers are encapsulated with electrical grade resin in a NEMA 3R-rated enclosure
- Units are built in accordance with NEMA, ANSI, UL and CSA standards
- Transformer type exempt from DOE & NRCan efficiency standards
- Connection by wire
- Shield optional
- Paint color is ANSI #61 Gray
- Net Weights are approximate



800-892-3755

PCD 411-FIGURE-2



jeffersonelectric.com



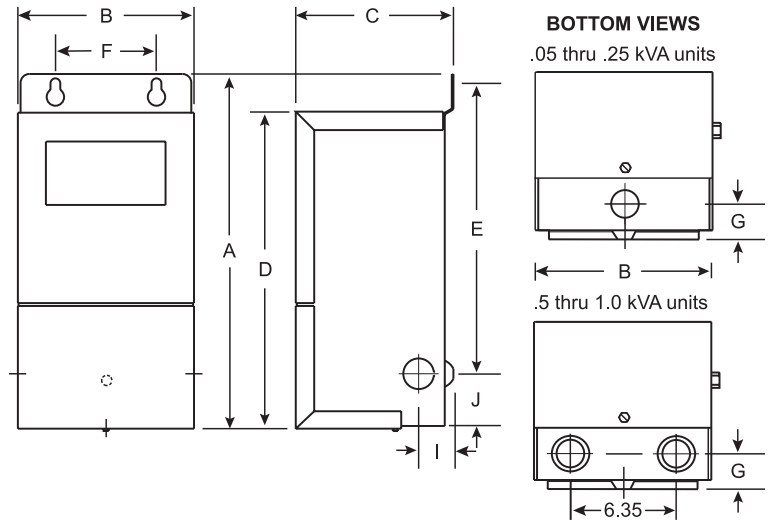
bemag.ca

STANDARD ENCLOSURE AND MOUNTING DIMENSIONS

General Purpose Transformer, NEMA 3R, single phase, 600V, 95°C rise

General Specifications

Type:	Encapsulated
Temp Rise:	95°C
Windings:	Copper or Aluminum
Resin:	Industrial grade, UL and CSA approved
Efficiency:	Exempt
Knockouts:	2.24 cm hole for 1/2" conduit 2.87 cm hole for 3/4" conduit Single or dual knockouts as indicated



Measurements in centimeters/kilograms below;
inches/pounds dimensions on other side

Dimensions in centimeters

kVA	Net Wt (kg)	A	B	C	D	E	F	G	H (conduit)	I	J
.05	2.72	20.32	8.38	7.87	17.27	15.75	5.72	2.54	1/2"	2.54	3.81
.10	2.72	20.32	8.38	7.87	17.27	15.75	5.72	2.54	1/2"	2.54	3.81
.15	2.72	20.32	8.38	7.87	17.27	15.75	5.72	2.54	1/2"	2.54	3.81
.25	3.18	20.32	8.38	7.87	17.27	15.75	5.72	2.54	1/2"	2.54	3.81
.50	6.80	25.91	12.95	11.68	23.11	21.34	5.72	2.54	1/2" & 3/4"	3.18	3.81
.75	8.16	25.91	12.95	11.68	23.11	21.34	5.72	2.54	1/2" & 3/4"	3.18	3.81
1.0	8.62	25.91	12.95	11.68	23.11	21.34	5.72	2.54	1/2" & 3/4"	3.18	3.81

Housing dimensions subject to change without notice. Consult factory where dimensions are critical.

NOTES:

- All units are UL listed and are designed in accordance with ANSI C89.2 and NEMA ST-20 standards
- These transformers utilize a UL recognized 130°C insulation system, temperature rise as indicated
- Transformers are encapsulated with electrical grade resin in a NEMA 3R-rated enclosure
- Units are built in accordance with NEMA, ANSI, UL and CSA standards
- Transformer type exempt from DOE & NRCan efficiency standards
- Connection by wire
- Shield optional
- Paint color is ANSI #61 Gray
- Net Weights are approximate



800-892-3755

PCD 411-FIGURE-2



jeffersonelectric.com



bemag.ca