

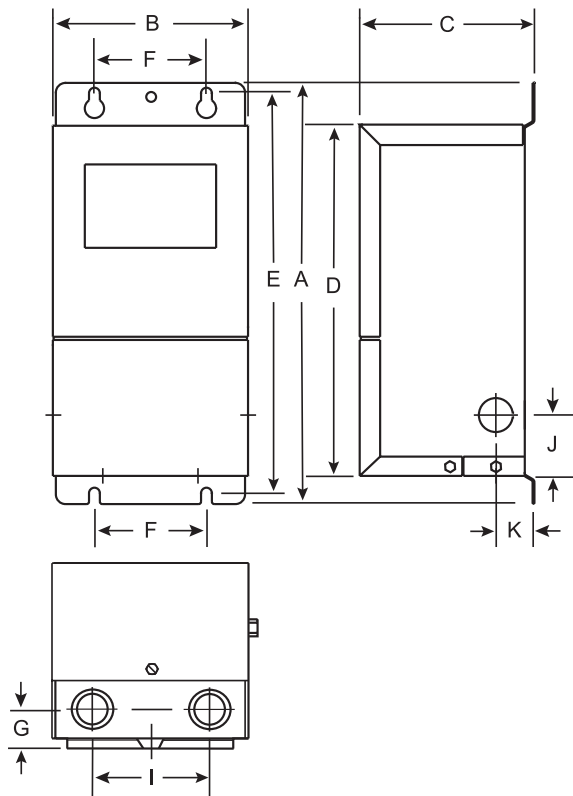
STANDARD ENCLOSURE AND MOUNTING DIMENSIONS

General Purpose Transformer, NEMA 3R, single phase, 600V, 135°C rise

General Specifications

Type:	Encapsulated
Temp Rise:	135°C
Windings:	Copper or Aluminum
Resin:	Industrial grade, UL and CSA approved
Efficiency:	Exempt
Knockouts:	.88" hole for 1/2" conduit 1.13" hole for 3/4" conduit 1.375" hole for 1" conduit Single or dual knockouts as indicated

Measurements in inches/pounds below;
metric dimensions on other side.



Dimensions in inches

kVA	Net Wt (lbs)	A	B	C	D	E	F	G	H (conduit)	I	J	K
1.5	33	12.5	6.7	5.3	10.5	12.0	2.25	1.5	1/2" & 3/4"	3.5	1.5	1.5
2.0	41	12.5	6.7	5.3	10.5	12.0	2.25	1.5	1/2" & 3/4"	3.5	1.5	1.5
3.0	68	14.6	7.6	7.2	12.6	14.1	3.5	1.88	3/4" & 1"	4.0	1.75	1.88
5.0	93	14.6	7.6	7.2	12.6	14.1	3.5	1.88	3/4" & 1"	4.0	1.75	1.88

Housing dimensions subject to change without notice. Consult factory where dimensions are critical.

NOTES:

- All units are UL listed and are designed in accordance with ANSI C89.2 and NEMA ST-20 standards
- These transformers utilize a UL recognized 180°C insulation system, temperature rise as indicated
- Transformers are encapsulated with electrical grade resin in a NEMA 3R-rated enclosure
- Units are built in accordance with NEMA, ANSI, UL and CSA standards
- Transformer type exempt from DOE & NRCan efficiency standards
- Connection by wire
- Shield optional
- Paint color is ANSI #61 Gray
- Net Weights are approximate



800-892-3755

PCD 411-FIGURE-3



jeffersonelectric.com



bemag.ca

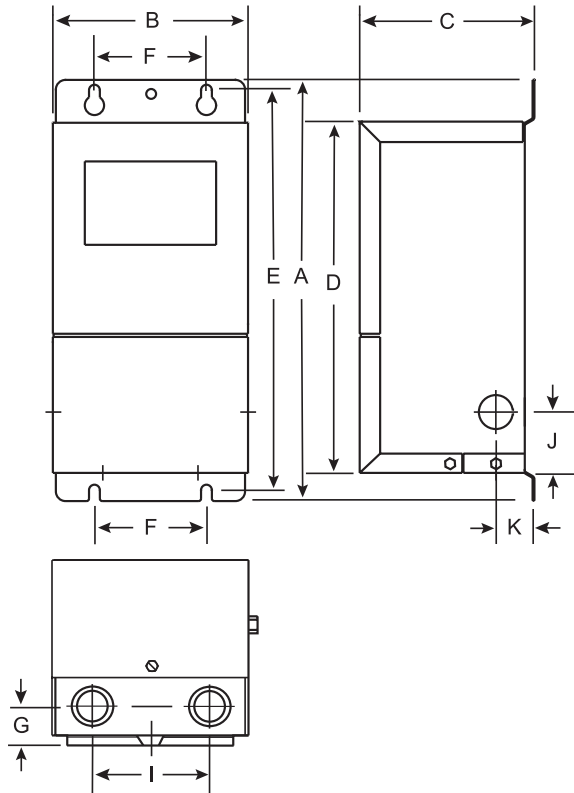
STANDARD ENCLOSURE AND MOUNTING DIMENSIONS

General Purpose Transformer, NEMA 3R, single phase, 600V, 135°C rise

General Specifications

Type:	Encapsulated
Temp Rise:	135°C
Windings:	Copper or Aluminum
Resin:	Industrial grade, UL and CSA approved
Efficiency:	Exempt
Knockouts:	2.24 cm hole for 1/2" conduit 2.87 cm hole for 3/4" conduit 3.49 cm hole for 1" conduit Single or dual knockouts as indicated

Measurements in centimeters/kilograms below;
inches/pounds dimensions on other side



Dimensions in centimeters												
kVA	Net Wt (kg)	A	B	C	D	E	F	G	H (conduit)	I	J	K
1.5	14.97	31.8	17.0	13.5	26.7	30.5	5.7	3.8	1/2" & 3/4"	8.9	3.8	3.8
2.0	18.60	31.8	17.0	13.5	26.7	30.5	5.7	3.8	1/2" & 3/4"	8.9	3.8	3.8
3.0	30.84	37.1	19.3	18.3	32.0	35.8	8.9	4.8	3/4" & 1"	10.2	4.4	4.8
5.0	42.18	37.1	19.3	18.3	32.0	35.8	8.9	4.8	3/4" & 1"	10.2	4.4	4.8

Housing dimensions subject to change without notice. Consult factory where dimensions are critical.

NOTES:

- All units are UL listed and are designed in accordance with ANSI C89.2 and NEMA ST-20 standards
- These transformers utilize a UL recognized 180°C insulation system, temperature rise as indicated
- Transformers are encapsulated with electrical grade resin in a NEMA 3R-rated enclosure
- Units are built in accordance with NEMA, ANSI, UL and CSA standards
- Transformer type exempt from DOE & NRCan efficiency standards
- Connection by wire
- Shield optional
- Paint color is ANSI #61 Gray
- Net Weights are approximate