

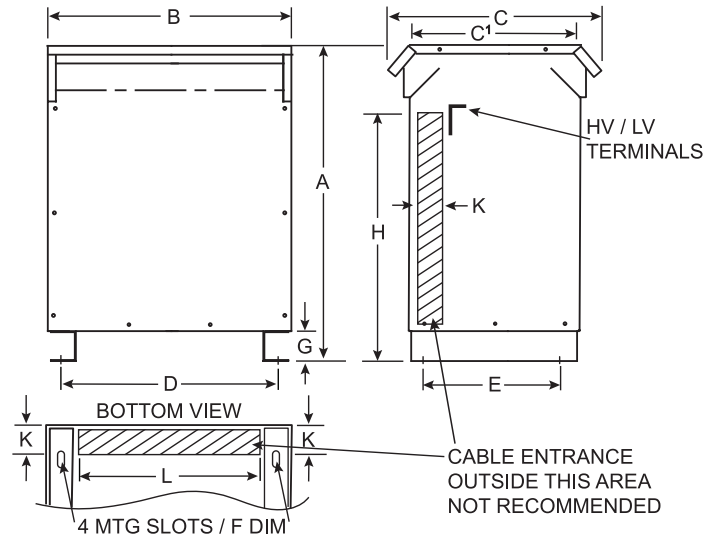
STANDARD ENCLOSURE AND MOUNTING DIMENSIONS

General Purpose Transformer, NEMA 3R, 1 phase, 600V, 150°C rise

General Specifications

Type:	Ventilated
Temp Rise:	150°C
K-Factor:	K-1
Frequency:	60 Hz
Windings:	Aluminum or Copper
Efficiency:	DOE-2016

Measurements in inches/pounds below;
metric dimensions on other side.



Dimensions in inches

kVA	Net Wt (lbs)		A	B	C	C'	D	E	F	G	H	K	L
	AL	CU											
15	190	225	27.0	15.0	20.0	15.0	12.5	11.0	0.56 x 1.13	3.0	16.0	3.0	10.0
25	265	295	29.0	17.0	22.0	17.0	14.0	13.0	0.56 x 1.13	3.0	19.0	3.0	10.0
37.5	330	365	31.0	20.0	23.0	18.0	16.9	14.0	0.56 x 1.13	3.0	20.0	3.0	11.0
50	465	485	32.0	22.0	25.5	20.0	19.0	16.0	0.56 x 1.13	3.0	20.0	3.0	14.0
75	535	585	34.0	22.0	27.5	22.0	19.0	16.0	0.56 x 1.13	3.0	22.0	3.0	16.0
100	710	785	36.0	22.0	29.5	24.0	19.0	18.0	0.56 x 1.13	3.0	24.0	3.0	16.0
150	1255	1506	55.0	34.0	37.0	29.5	30.8	25.0	0.56 x 1.13	3.0	24.0	3.0	16.0
167	1300	1560	55.0	34.0	37.0	29.5	30.8	25.0	0.56 x 1.13	3.0	24.0	3.0	16.0
200	1895	2050	52.0	35.0	37.0	30.0	31.5	25.0	0.56 x 1.13	3.0	45.0	5.0	27.5
250	2250	2500	55.0	39.0	44.0	37.0	31.5	25.0	0.56 x 1.13	3.0	48.0	5.0	27.5
300	4250	4665	72.2	52.0	44.2	40.0	47.0	42.0	0.56 x 1.13	4.0	56.0	5.0	44.25

Housing dimensions subject to change without notice. Consult factory where dimensions are critical.

NOTES:

- All units are UL listed and are designed in accordance with ANSI C89.2 and NEMA ST-20 standards
- These transformers utilize a UL recognized 220°C insulation system
- Transformers are dry type, Class AA, ventilated enclosure for indoor or outdoor use
- For lifting other than with fork truck, remove top cover and use core clamps
- Paint color is ANSI #61 Gray
- Full width copper electrostatic shield (optional)
- 6" required clearance from the wall
- HV/LV terminals are top front terminated
- Meets DOE-2016 efficiency 10 CFR Part 431
- Meets NRCAN C802 2019 standards for efficiency
- Net Weights are approximate



PCD 421-900A-150



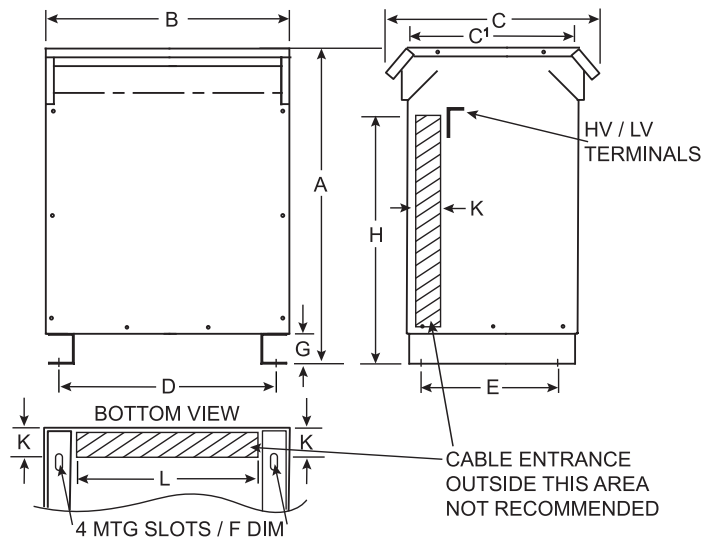
STANDARD ENCLOSURE AND MOUNTING DIMENSIONS

General Purpose Transformer, NEMA 3R, 1 phase, 600V, 150°C rise

General Specifications

Type:	Ventilated
Temp Rise:	150°C
K-Factor:	K-1
Frequency:	60 Hz
Windings:	Aluminum or Copper
Efficiency:	DOE-2016

Measurements in centimeters/kilograms below;
inches/pounds dimensions on other side.



Dimensions in centimeters

kVA	Net Wt (kg)		A	B	C	C'	D	E	F	G	H	K	L
	AL	CU											
15	86.2	102.1	68.6	38.1	50.8	38.1	31.8	27.9	1.42 x 2.87	7.6	40.6	7.6	25.4
30	120.2	133.8	73.7	43.2	55.9	43.2	35.6	33.0	1.42 x 2.87	7.6	48.3	7.6	25.4
37.5	149.7	165.6	78.7	50.8	58.4	45.7	42.9	35.6	1.42 x 2.87	7.6	50.8	7.6	27.9
50	210.9	220.0	81.3	55.9	64.8	50.8	48.3	40.6	1.42 x 2.87	7.6	50.8	7.6	35.6
75	242.7	265.4	86.4	55.9	69.9	55.9	48.3	40.6	1.42 x 2.87	7.6	55.9	7.6	40.6
100	322.1	356.1	91.4	55.9	74.9	61.0	48.3	45.7	1.42 x 2.87	7.6	61.0	7.6	40.6
150	569.3	683.1	139.7	86.4	94.0	74.9	78.2	63.5	1.42 x 2.87	7.6	61.0	7.6	40.6
167	589.7	707.6	139.7	86.4	94.0	74.9	78.2	63.5	1.42 x 2.87	7.6	61.0	7.6	40.6
200	859.6	929.9	132.1	88.9	94.0	76.2	80.0	63.5	1.42 x 2.87	7.6	114.3	10.2	69.9
250	1020.6	1134.0	139.7	99.1	111.8	94.0	80.0	63.5	1.42 x 2.87	7.6	121.9	10.2	69.9
300	1927.8	2116.0	183.4	132.1	112.3	101.6	119.4	106.7	1.42 x 2.87	10.2	142.2	10.2	112.4

Housing dimensions subject to change without notice. Consult factory where dimensions are critical.

NOTES:

- All units are UL listed and are designed in accordance with ANSI C89.2 and NEMA ST-20 standards
- These transformers utilize a UL recognized 220°C insulation system
- Transformers are dry type, Class AA, ventilated enclosure for indoor or outdoor use
- For lifting other than with fork truck, remove top cover and use core clamps
- Paint color is ANSI #61 Gray
- Full width copper electrostatic shield (optional)
- 6" required clearance from the wall
- HV/LV terminals are top front terminated
- Meets DOE-2016 efficiency 10 CFR Part 431
- Meets NRCAN C802 2019 standards for efficiency
- Net Weights are approximate