

STANDARD ENCLOSURE AND MOUNTING DIMENSIONS

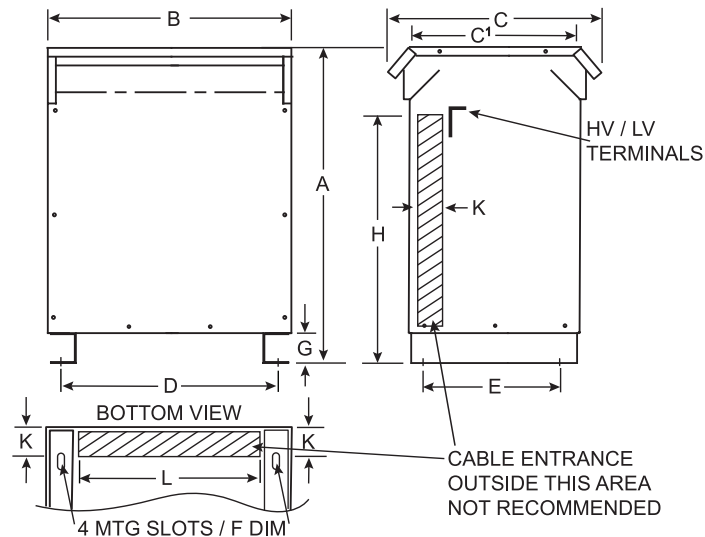
General Purpose Transformer, NEMA 3R, 3 phase, 600V, 80°C rise

Non-Linear K-20

General Specifications

| | |
|-------------|--------------------|
| Type: | Ventilated |
| Temp Rise: | 80°C |
| K-Factor: | K-20 |
| Frequency: | 60 Hz |
| Windings: | Aluminum or Copper |
| Efficiency: | DOE-2016 |

Measurements in inches/pounds below;
metric dimensions on other side.



Dimensions in inches

| kVA | Net Wt (lbs) | | A | B | C | C' | D | E | F | G | H | K | L |
|-------|--------------|------|------|------|------|------|------|------|-------------|-----|------|-----|-------|
| | AL | CU | | | | | | | | | | | |
| 15 | 480 | 525 | 28.0 | 25.0 | 23.5 | 18.5 | 20.8 | 14.5 | 0.56 x 1.13 | 3.0 | 22.0 | 3.0 | 17.0 |
| 30 | 625 | 690 | 32.0 | 27.0 | 26.0 | 21.0 | 23.5 | 16.0 | 0.56 x 1.13 | 3.0 | 26.0 | 3.0 | 20.0 |
| 45 | 875 | 965 | 38.0 | 29.0 | 28.5 | 23.0 | 25.5 | 18.0 | 0.56 x 1.13 | 3.0 | 32.0 | 3.0 | 22.0 |
| 75 | 1225 | 1350 | 42.0 | 33.0 | 32.5 | 26.0 | 30.0 | 21.0 | 0.56 x 1.13 | 3.0 | 35.0 | 4.0 | 25.5 |
| 112.5 | 1545 | 1700 | 46.0 | 35.0 | 37.0 | 30.0 | 31.5 | 25.0 | 0.56 x 1.13 | 3.0 | 39.0 | 5.0 | 27.5 |
| 150 | 2250 | 2500 | 55.0 | 39.0 | 44.0 | 37.0 | 31.5 | 25.0 | 0.56 x 1.13 | 3.0 | 48.0 | 5.0 | 27.5 |
| 225 | 3220 | 3550 | 60.0 | 48.0 | 43.5 | 33.0 | 42.0 | 27.0 | 0.56 x 1.13 | 4.0 | 50.0 | 5.0 | 38.0 |
| 300 | 4250 | 4665 | 72.2 | 52.0 | 44.2 | 40.0 | 47.0 | 42.0 | 0.56 x 1.13 | 4.0 | 56.0 | 5.0 | 44.25 |

Housing dimensions subject to change without notice. Consult factory where dimensions are critical.

NOTES:

- All units are UL listed and are designed in accordance with ANSI C89.2 and NEMA ST-20 standards
- These transformers utilize a UL recognized 220°C insulation system
- Transformers are dry type, Class AA, ventilated enclosure for indoor or outdoor use
- For lifting other than with fork truck, remove top cover and use core clamps
- Paint color is ANSI #61 Gray
- Full width copper electrostatic shield (optional)
- 6" required clearance from the wall
- HV/LV terminals are top front terminated
- Meets DOE-2016 efficiency 10 CFR Part 431
- Meets NRCAN C802 2019 standards for efficiency
- Net Weights are approximate



STANDARD ENCLOSURE AND MOUNTING DIMENSIONS

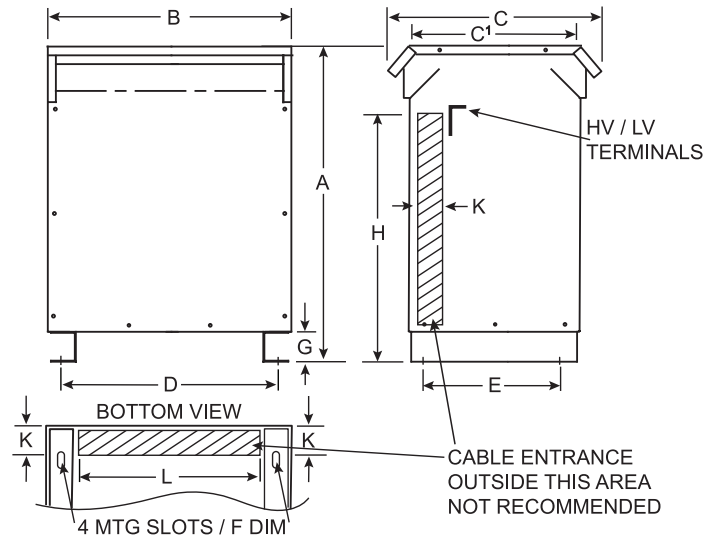
General Purpose Transformer, NEMA 3R, 3 phase, 600V, 80°C rise

Non-Linear K-20

General Specifications

| | |
|-------------|--------------------|
| Type: | Ventilated |
| Temp Rise: | 80°C |
| K-Factor: | K-20 |
| Frequency: | 60 Hz |
| Windings: | Aluminum or Copper |
| Efficiency: | DOE-2016 |

Measurements in centimeters/kilograms below;
inches/pounds dimensions on other side.



Dimensions in centimeters

| kVA | Net Wt (kg) | | A | B | C | C' | D | E | F | G | H | K | L |
|-------|-------------|--------|-------|-------|-------|-------|-------|-------|-------------|------|-------|------|-------|
| | AL | CU | | | | | | | | | | | |
| 15 | 217.7 | 238.1 | 71.1 | 63.5 | 59.7 | 47.0 | 52.8 | 36.8 | 1.42 x 2.87 | 7.6 | 55.9 | 7.6 | 43.2 |
| 30 | 283.5 | 313.0 | 81.3 | 68.6 | 66.0 | 53.3 | 59.7 | 40.6 | 1.42 x 2.87 | 7.6 | 66.0 | 7.6 | 50.8 |
| 45 | 396.9 | 437.7 | 96.5 | 73.7 | 72.4 | 58.4 | 64.8 | 45.7 | 1.42 x 2.87 | 7.6 | 81.3 | 7.6 | 55.9 |
| 75 | 555.7 | 612.3 | 106.7 | 83.8 | 82.6 | 66.0 | 76.2 | 53.3 | 1.42 x 2.87 | 7.6 | 88.9 | 10.2 | 64.8 |
| 112.5 | 700.8 | 771.1 | 116.8 | 88.9 | 94.0 | 76.2 | 80.0 | 63.5 | 1.42 x 2.87 | 7.6 | 99.1 | 12.7 | 69.9 |
| 150 | 1020.6 | 1134.0 | 139.7 | 99.1 | 111.8 | 94.0 | 80.0 | 63.5 | 1.42 x 2.87 | 7.6 | 121.9 | 12.7 | 69.9 |
| 225 | 1460.6 | 1610.3 | 152.4 | 121.9 | 110.5 | 83.8 | 106.7 | 68.6 | 1.42 x 2.87 | 10.2 | 127.0 | 12.7 | 96.5 |
| 300 | 1927.8 | 2116.0 | 183.4 | 132.1 | 112.3 | 101.6 | 119.4 | 106.7 | 1.42 x 2.87 | 10.2 | 142.2 | 12.7 | 112.4 |

Housing dimensions subject to change without notice. Consult factory where dimensions are critical.

NOTES:

- All units are UL listed and are designed in accordance with ANSI C89.2 and NEMA ST-20 standards
- These transformers utilize a UL recognized 220°C insulation system
- Transformers are dry type, Class AA, ventilated enclosure for indoor or outdoor use
- For lifting other than with fork truck, remove top cover and use core clamps
- Paint color is ANSI #61 Gray
- Full width copper electrostatic shield (optional)
- 6" required clearance from the wall
- HV/LV terminals are top front terminated
- Meets DOE-2016 efficiency 10 CFR Part 431
- Meets NRCan C802 2019 standards for efficiency
- Net Weights are approximate