

Certified Seismic Unit Installation

This Seismic Installation Guide is a supplement to the Operation and Installation manual provided with your unit.

It does not replace:

- Printed instructions shipped with the equipment.
- Instructions in contract drawings/specifications.
- Required or Industry Code
- Seismic Restraint Device Submittal

Code Qualifications

In order to meet seismic qualifications, rated transformers went through rigorous testing to meet the International Building Code (2015 IBC) and the California Building Code (2016 CBC) requirements. Each test was met in accordance with ICC-ES AC156 seismic qualifications.

Qualified Units

Single & Three-Phase Encapsulated

- Wall mount 1 kVA to 25 kVA
- Floor mount 3 kVA to 75 kVA
- NEMA 3R enclosures
- SDS = 2.00g ; z/h = 1.00 ; I_p = 1.5

Single-Phase Ventilated

- Floor mount 1 kVA to 250 kVA
- NEMA 1 or 3R enclosures
- SDS = 2.00g ; z/h = 1.00 ; I_p = 1.5

Three-Phase Ventilated

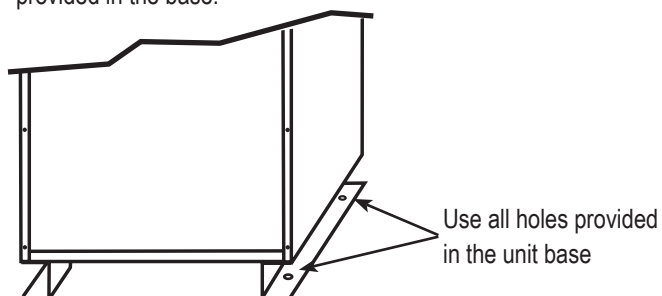
- Floor mount 1 kVA to 1,000 kVA
- NEMA 1 or 3R enclosures
- SDS = 2.00g ; z/h = 1.00 ; I_p = 1.5

Totally Enclosed Non Ventilated

- Floor Mount, Single-Phase 1 kVA to 250 kVA
- Floor Mount, Three-Phase 1 kVA to 500 kVA
- NEMA 3R Enclosures
- SDS = 2.00g ; z/h = 1.00 ; I_p = 1.5

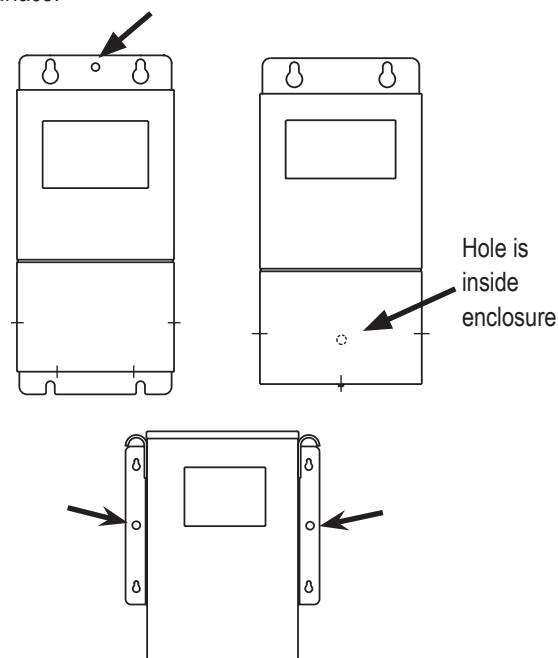
Floor Mount Units

For units up to 300 kVA, use Grade 5 bolts, washers and lock washers to attach the unit to the mounting surface. For units over 300 kVA, use Grade 8 bolts, washers and lock washers. Fill all holes provided in the base.



For Wall Mount Units

Install units according to instructions in the Installation Manual. Also use the additional holes provided to add additional stability. Use Grade 5 bolts, washers and lock washers to attach the unit to the mounting surface.



NOTE:

If your unit does not have the indicated holes drilled in the mounting plate, it is recommended to drill those holes and install the bolts as described.