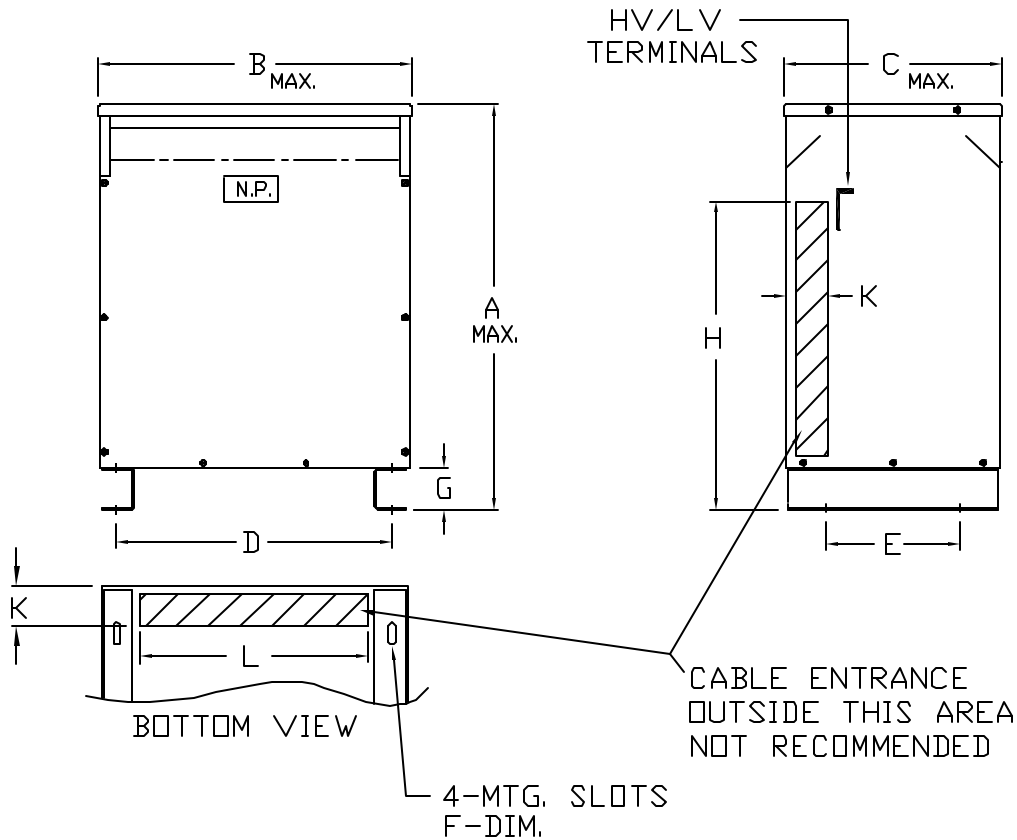


Jefferson Electric

DRY TYPE TRANSFORMERS



KVA	TEMP. RISE °C	NET WT. LBS.	DIMENSIONS IN INCHES									
			A	B	C	D	E	F	G	H	K	L
225	80	1675	52.00	35.00	30.00	31.50	25.00	.56 x 1.13	3.00	32.00	5.00	27.50
300	80	2150	60.00	48.00	33.00	42.00	27.00	.56 x 1.13	4.00	36.00	5.00	34.00
500	80	3300	72.00	52.00	40.00	46.00	34.00	.56 x 1.13	4.00	44.00	6.00	38.00
750	80	N/A										
1000	80	N/A										

NOTES:

1. ALL UNITS ARE UL LISTED AND ARE DESIGNED IN ACCORDANCE WITH ANSI C89.2 AND NEMA ST-20 STANDARDS.
2. THESE TRANSFORMERS UTILIZE A UL RECOGNIZED 220°C INSULATION SYSTEM, TEMPERATURE RISE AS INDICATED IN THE TABLE.
3. TRANSFORMERS ARE DRY TYPE, CLASS AA, VENTILATED ENCLOSURE FOR INDOOR USE. OPTIONAL WEATHER KITS ARE AVAILABLE FOR ADAPTING THE UNIT FOR 3R USE WITHOUT VOIDING THE UL LABEL.
4. FOR LIFTING OTHER THAN WITH FORK TRUCK, REMOVE TOP COVER AND USE CORE CLAMPS.
5. PAINT COLOR IS ANSI #61 GRAY.
6. FULL WIDTH COPPER ELECTROSTATIC SHIELD (OPTIONAL).
7. 6" REQUIRED CLEARANCE FROM THE WALLS.
8. HV/LV TERMINALS ARE TOP FRONT TERMINATED.



GENERAL PURPOSE TRANSFORMERS
THREE-PHASE, 600 VOLTS CLASS, 60 HZ.
K-FACTOR (1) RATED - ALUMINUM - TP1

PCD 223-700A-080

REV.
C