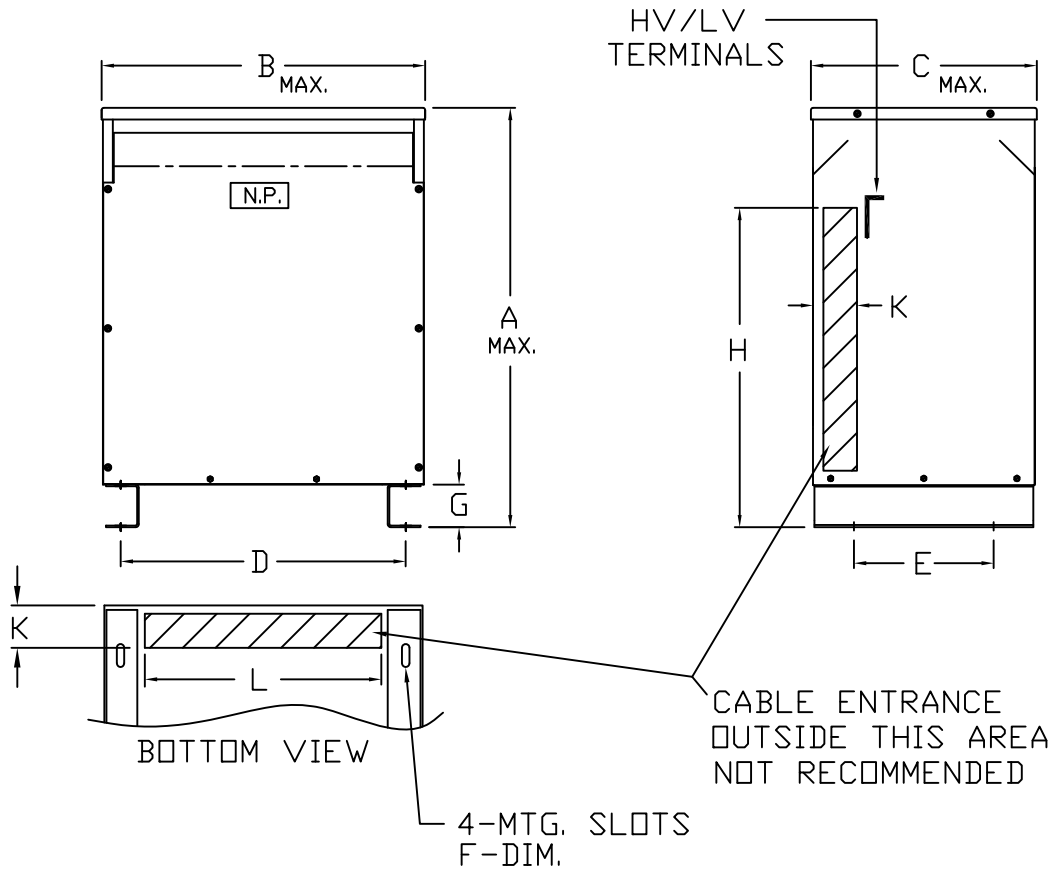


Jefferson Electric

DRY TYPE TRANSFORMERS



KVA	TEMP. RISE °C	NET WT. LBS.	DIMENSIONS IN INCHES									
			A	B	C	D	E	F	G	H	K	L
225	150	1315	46.00	35.00	30.00	31.50	25.00	.56 x 1.13	3.00	26.00	5.00	27.50
300	150	1665	52.00	35.00	30.00	31.50	25.00	.56 x 1.13	3.00	26.00	5.00	27.50
500	150	2460	60.00	48.00	33.00	42.00	27.00	.56 x 1.13	4.00	36.00	5.00	34.00
750	150	4300	72.00	52.00	44.00	34.00	42.00	.56 x 1.13	4.00	50.00	5.00	40.00
1000	150	5500	81.00	66.00	44.00	63.00	38.50	.56 x 1.13	5.00	60.00	6.00	48.00

NOTES:

- ALL UNITS ARE UL LISTED AND ARE DESIGNED IN ACCORDANCE WITH ANSI C89.2 AND NEMA ST-20 STANDARDS.
- THESE TRANSFORMERS UTILIZE A UL RECOGNIZED 220°C INSULATION SYSTEM, TEMPERATURE RISE AS INDICATED IN THE TABLE.
- TRANSFORMERS ARE DRY TYPE, CLASS AA, VENTILATED ENCLOSURE FOR INDOOR USE. OPTIONAL WEATHER KITS ARE AVAILABLE FOR ADAPTING THE UNIT FOR 3R USE WITHOUT VOIDING THE UL LABEL.
- FOR LIFTING OTHER THAN WITH FORK TRUCK, REMOVE TOP COVER AND USE CORE CLAMPS.
- PAINT COLOR IS ANSI #61 GRAY.
- FULL WIDTH COPPER ELECTROSTATIC SHIELD (OPTIONAL).
- 6' REQUIRED CLEARANCE FROM THE WALLS.
- HV/LV TERMINALS ARE TOP FRONT TERMINATED.



GENERAL PURPOSE TRANSFORMERS
THREE-PHASE, 600 VOLTS CLASS, 60 HZ.
K-FACTOR (1) RATED - ALUMINUM - TP1

PCD 223-700A-150

REV.
D