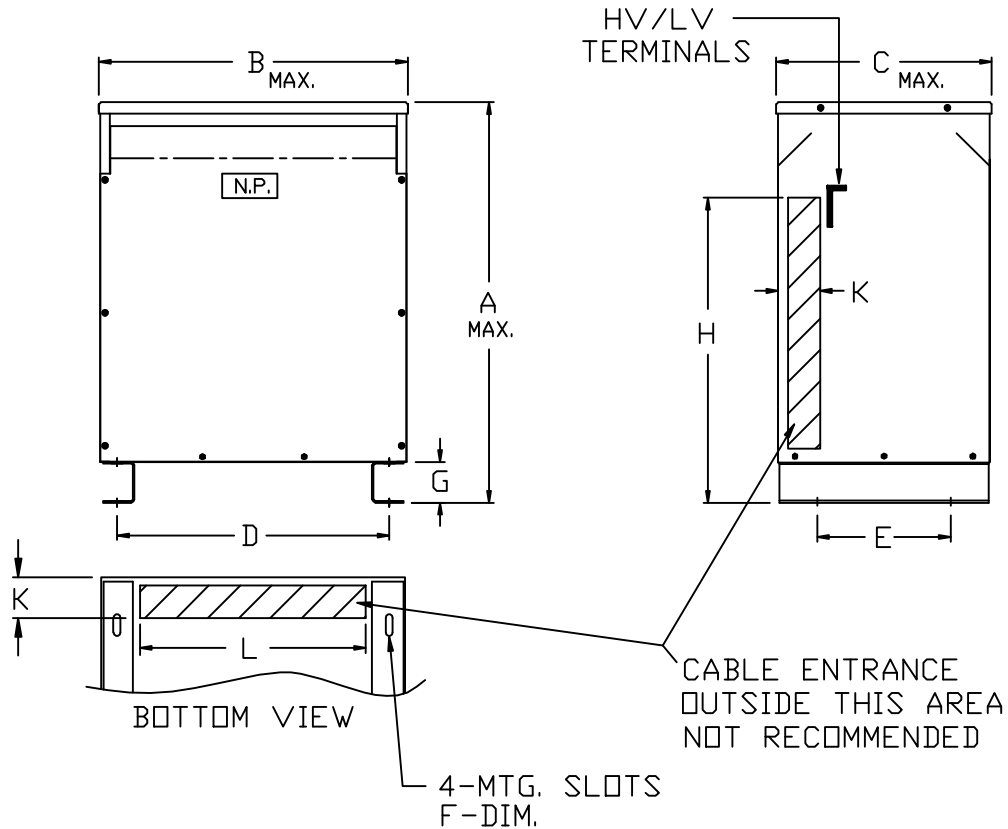


# Jefferson Electric

## DRY TYPE TRANSFORMERS



KVA	TEMP. RISE °C	NET WT. LBS.	DIMENSIONS IN INCHES									
			A	B	C	D	E	F	G	H	K	L
15	115	225	27.00	15.00	15.00	12.50	11.00	.56 x 1.13	3.00	19.00	3.00	10.00
25	115	297	29.00	17.00	17.00	14.00	13.00	.56 x 1.13	3.00	20.00	3.00	11.00
37.5	115	369	31.00	20.00	18.00	16.88	14.00	.56 x 1.13	3.00	20.00	3.00	14.00
50	115	499	32.00	22.00	20.00	19.00	16.00	.56 x 1.13	3.00	22.00	3.00	16.00
75	115	631	36.00	22.00	22.00	19.00	18.00	.56 x 1.13	3.00	24.00	3.00	16.00
100	115	← N/A →										
167	115	← N/A →										

### NOTES:

- ALL UNITS ARE UL LISTED AND ARE DESIGNED IN ACCORDANCE WITH ANSI C89.2 AND NEMA ST-20 STANDARDS.
- THESE TRANSFORMERS UTILIZE A UL RECOGNIZED 220°C INSULATION SYSTEM, TEMPERATURE RISE AS INDICATED IN THE TABLE.
- TRANSFORMERS ARE DRY TYPE, CLASS AA, VENTILATED ENCLOSURE FOR INDOOR USE. OPTIONAL WEATHER KITS ARE AVAILABLE FOR ADAPTING THE UNIT FOR 3R USE WITHOUT VOIDING THE UL LABEL.
- PAINT COLOR IS ANSI #61 GRAY.
- FULL WIDTH COPPER ELECTROSTATIC SHIELD (OPTIONAL).
- 6" REQUIRED CLEARANCE FROM THE WALLS.
- HV/LV TERMINALS ARE TOP FRONT TERMINATED.



GENERAL PURPOSE TRANSFORMERS  
SINGLE-PHASE, 600 VOLTS CLASS, 60 HZ.  
K-FACTOR (1) RATED - ALUMINUM - TP1

PCD 421-700A-115

REV.  
B