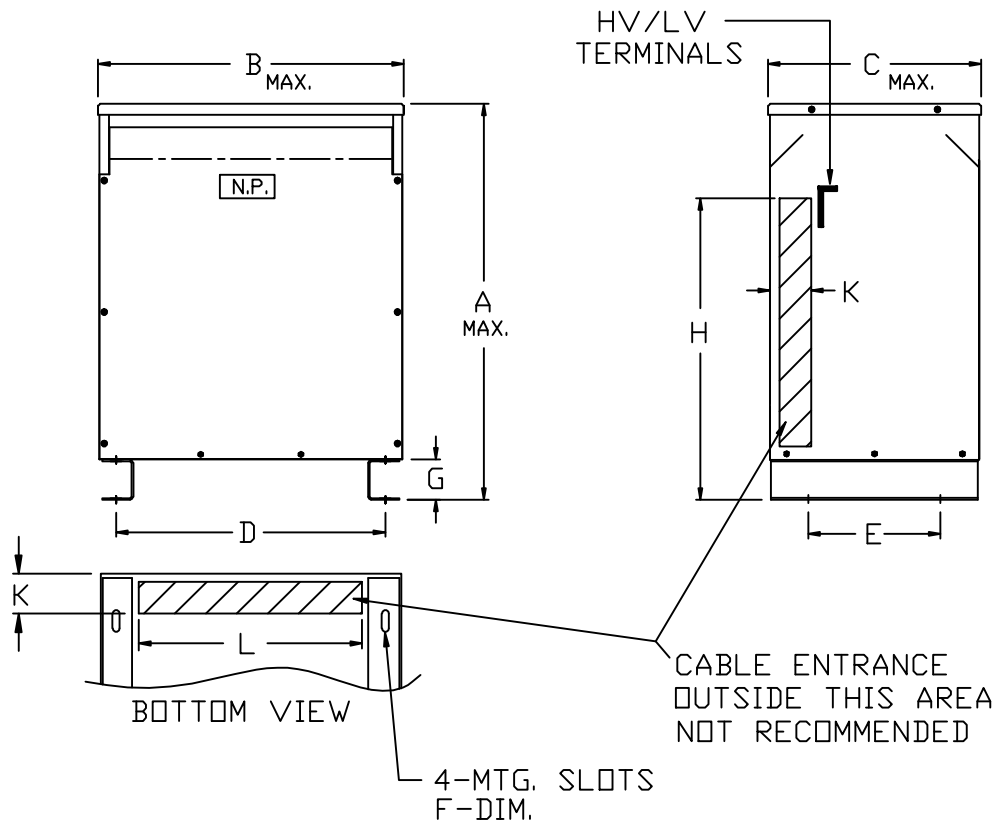


Jefferson Electric

DRY TYPE TRANSFORMERS



KVA	TEMP. RISE °C	NET WT. LBS.	DIMENSIONS IN INCHES									
			A	B	C	D	E	F	G	H	K	L
15	150	155	27.00	15.00	15.00	12.50	11.00	.56 x 1.13	3.00	19.00	3.00	10.00
25	150	225	29.00	17.00	17.00	14.00	13.00	.56 x 1.13	3.00	20.00	3.00	11.00
37.5	150	297	31.00	20.00	18.00	16.88	14.00	.56 x 1.13	3.00	20.00	3.00	14.00
50	150	369	32.00	22.00	20.00	19.00	16.00	.56 x 1.13	3.00	22.00	3.00	16.00
75	150	499	34.00	22.00	22.00	19.00	16.00	.56 x 1.13	3.00	24.00	3.00	16.00
100	150	631	36.00	22.00	24.00	19.00	18.00	.56 x 1.13	3.00	26.00	3.00	16.00
167	150	950	46.00	35.00	30.00	31.50	25.00	.56 x 1.13	3.00	32.00	5.00	27.50

NOTES:

1. ALL UNITS ARE UL LISTED AND ARE DESIGNED IN ACCORDANCE WITH ANSI C89.2 AND NEMA ST-20 STANDARDS.
2. THESE TRANSFORMERS UTILIZE A UL RECOGNIZED 220°C INSULATION SYSTEM, TEMPERATURE RISE AS INDICATED IN THE TABLE.
3. TRANSFORMERS ARE DRY TYPE, CLASS AA, VENTILATED ENCLOSURE FOR INDOOR USE. OPTIONAL WEATHER KITS ARE AVAILABLE FOR ADAPTING THE UNIT FOR 3R USE WITHOUT VOIDING THE UL LABEL.
4. PAINT COLOR IS ANSI #61 GRAY.
5. FULL WIDTH COPPER ELECTROSTATIC SHIELD (OPTIONAL).
6. 6" REQUIRED CLEARANCE FROM THE WALLS.
7. HV/LV TERMINALS ARE TOP FRONT TERMINATED.



GENERAL PURPOSE TRANSFORMERS
SINGLE-PHASE, 600 VOLTS CLASS, 60 HZ.
K-FACTOR (1) RATED - ALUMINUM - TP1

PCD 421-700A-150

REV.
C