

0.050 to 25 KVA

Contents

Overview	2.2
Dimensional Drawings	2.5
Wiring Diagrams	2.6
Selection Charts	
120/240 V - 120/240 V	2.3
208 V - 120/240 V	2.3
240/480 V - 120/240 V	2.3
277 V - 120/240 V	2.4
600 V - 120/240 V	2.4
International Voltages	2.4

Products

- *General Purpose: 50 VA through 25 KVA**
- *International: 1 KVA through 25 KVA**

Applications

- *For all general loads, indoors or out, including lighting, industrial and commercial applications*
- *Units may be banked for 3-Phase operations*

Specifications

- *Encapsulated with electrical grade resin*
- *Cores of high quality electrical steel*
- *NEMA 3R-rated enclosures*
- *50/60 Hz operation as noted*
- *International units electrostatically shielded*
- *Heat-cured ASA-61 gray powder coat finish*

Features, Functions, Benefits

- *Large connection compartment with knockouts for ease of wiring and installation*
- *Quiet operation for installation flexibility*
- *Slotted mounting holes for quick and easy mounting*
- *Convenient wall mount design with lifting hooks above 5 KVA*
- *Permanently affixed wiring diagram*

Standards

- *Built in accordance with NEMA, ANSI, UL and CSA standards*
- *International units are CE Marked*

*Options and Accessories

- *CE Marked units available as custom*
- *Other sizes and voltages available as custom*

Single-Phase Encapsulated

General Purpose

.050 - 1 KVA, 95°C Temperature Rise; 1.5 - 25 KVA, 135°C Temperature Rise

KVA	Catalog Number	Fig.	Height A (in.)	Width B (in.)	Depth C (in.)	Wiring Diagram	Est. Ship Wgt. (lbs.)
120 X 240 V – 120/240 V 60 Hz • Taps None							
.500	411-0051-120	2	10.19	5.06	4.59	S240A	15
1	411-0071-120	2	10.19	5.06	4.59		19
2	411-0091-120	3	12.50	6.69	5.34		41
3	411-0101-120	3	14.56	7.56	7.15		68
5	411-0111-120	3	14.56	7.56	7.15		93
7.5	411-0131-120	4	16.12	13.50	8.55		130
10	411-0151-120	4	16.12	13.50	8.55		155
15	411-0161-120	4	21.12	16.50	10.06		255
25	411-0181-120	4	21.12	16.50	10.06		291
208 V – 120/240 V 60 Hz • Taps None							
.500	411-0051-208	2	10.19	5.06	4.59	S208A	15
1	411-0071-208	2	10.19	5.06	4.59		19
2	411-0091-208	3	12.50	6.69	5.34		41
3	411-0101-208	3	14.56	7.56	7.15		68
5	411-0111-208	3	14.56	7.56	7.15		93
7.5	411-0131-208	4	16.12	13.50	8.55		130
10	411-0151-208	4	16.12	13.50	8.55		155
15	411-0161-208	4	21.12	16.50	10.06		255
25	411-0181-208	4	21.12	16.50	10.06		291
240 X 480 V – 120/240 V 60 Hz • Taps None							
.050	411-0001-000	2	8.03	3.31	3.08	S480A	6
.100	411-0021-000	2	8.03	3.31	3.08		6
.150	411-0031-000	2	8.03	3.31	3.08		6
.250	411-0041-000	2	8.03	3.31	3.08		7
.500	411-0051-000	2	10.19	5.06	4.59		15
.750	411-0061-000	2	10.19	5.06	4.59		18
1	411-0071-000	2	10.19	5.06	4.59		19
1.5	411-0081-000	3	12.50	6.69	5.34		33
2	411-0091-000	3	12.50	6.69	5.34		41
3	411-0101-000	3	14.56	7.56	7.15		68
5	411-0111-000	3	14.56	7.56	7.15		93
7.5	411-0131-000	4	16.12	13.50	8.55		130
10	411-0151-000	4	16.12	13.50	8.55		155
15	411-0161-000	4	21.12	16.50	10.06		255
25	411-0181-000	4	21.12	16.50	10.06		291
240 x 480 V – 120/240 V 60 Hz • Taps: 2 – 2.5% FCAN + 2 – 2.5% FCBN							
3	411-0104-300	3	14.56	7.56	7.15	S480B	68
5	411-0114-300	3	14.56	7.56	7.15		93
7.5	411-0134-300	4	16.12	13.50	8.55		130
10	411-0154-300	4	16.12	13.50	8.55		155
15	411-0164-300	4	21.12	16.50	10.06		255
25	411-0184-300	4	21.12	16.50	10.06		291

Note: Housing dimensions subject to change without notice. Consult website or factory where dimensions are critical.



2

Single-Phase Encapsulated

General Purpose

.050 - 1 KVA, 95°C Temperature Rise; 1.5 - 25 KVA, 135°C Temperature Rise

KVA	Catalog Number	Fig.	Height A (in.)	Width B (in.)	Depth C (in.)	Wiring Diagram	Est. Ship Wgt. (lbs.)
277 V – 120/240 V 60 Hz • Taps: 2 – 2.5% FCBN							
.250	411-0041-277	2	8.03	3.31	3.08	S277A	6
.500	411-0051-277	2	10.19	5.06	4.59		15
1	411-0071-277	2	10.19	5.06	4.59		19
2	411-0091-277	3	12.50	6.69	5.34		41
3	411-0101-277	3	14.56	7.56	7.15		68
5	411-0111-277	3	14.56	7.56	7.15		93
7.5	411-0131-277	4	16.12	13.50	8.55		130
10	411-0151-277	4	16.12	13.50	8.55		155
15	411-0161-277	4	21.12	16.50	10.06		255
25	411-0181-277	4	21.12	16.50	10.06		291
600 V – 120/240 V 60 Hz • Taps: .050 - 1 KVA None, 1.5 – 25 KVA 4 – 2.5% FCBN							
.150	411-0036-000	2	8.03	3.31	3.08	S600A	6
.250	411-0046-000	2	8.03	3.31	3.08		7
.500	411-0056-000	2	10.19	5.06	4.59		15
.750	411-0066-000	2	10.19	5.06	4.59		18
1	411-0077-000	2	10.19	5.06	4.59		19
1.5	411-0087-000	3	12.50	6.69	5.34	S600B	33
2	411-0097-000	3	12.50	6.69	5.34		41
3	411-0107-000	3	14.56	7.56	7.15		68
5	411-0117-000	3	14.56	7.56	7.15		93
7.5	411-0137-000	4	16.12	13.50	8.55		130
10	411-0157-000	4	16.12	13.50	8.55		155
15	411-0167-000	4	21.12	16.50	10.06		255
25	411-0187-000	4	21.12	16.50	10.06		291



International

1 KVA, 130°C Insulation Class; 2.0 - 25 KVA, 180°C Insulation Class

KVA	Catalog Number	Fig.	Height A (in.)	Width B (in.)	Depth C (in.)	Wiring Diagram	Est. Ship Wgt. (lbs.)
190/200/208/220 x 380/400/416/440 V – 120/240 V 50/60 Hz Electrostatic Shielded							
1	511-0078-055	2	10.19	5.06	4.59	S440A	22
2	511-0098-055	3	12.50	6.69	5.34		44
3	511-0108-055	3	14.56	7.56	7.15		61
5	511-0118-055	3	14.56	7.56	7.15		96
7.5	511-0138-055	4	16.12	13.50	8.55		130
10	511-0158-055	4	16.12	13.50	8.55		155
15	511-0168-055	4	21.12	16.50	10.06		255
25	511-0188-055	4	21.12	16.50	10.06		291

Note: Housing dimensions subject to change without notice. Consult website or factory where dimensions are critical.



Single-Phase Encapsulated

Figure 2

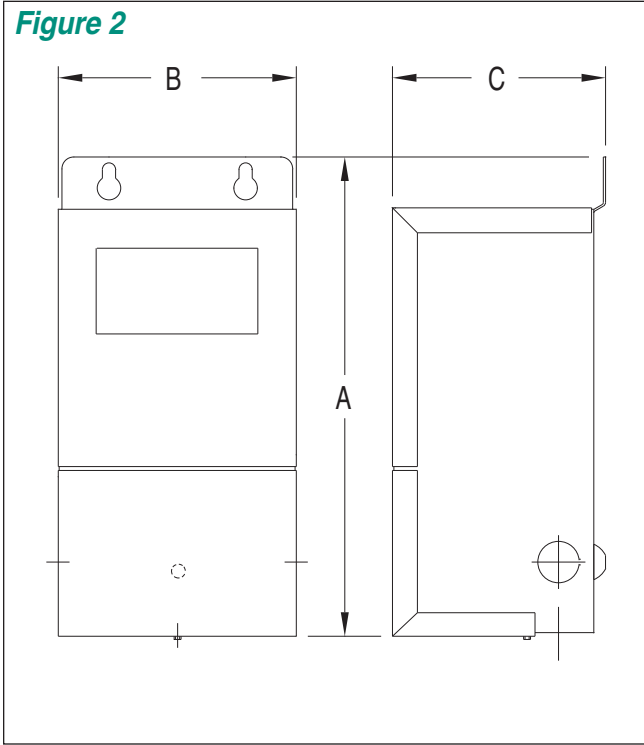


Figure 3

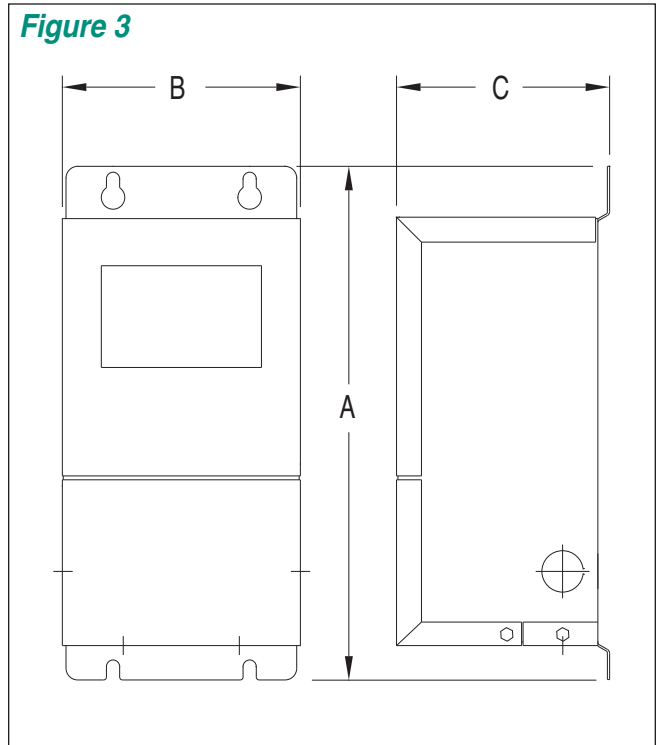
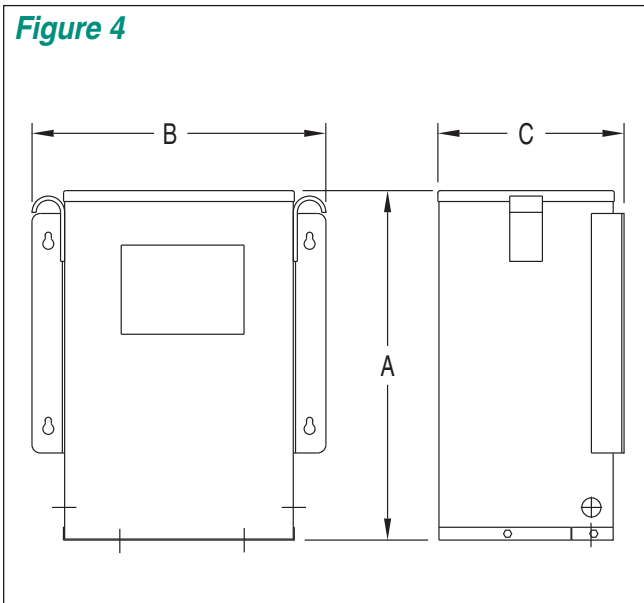


Figure 4



Version JE901.0411

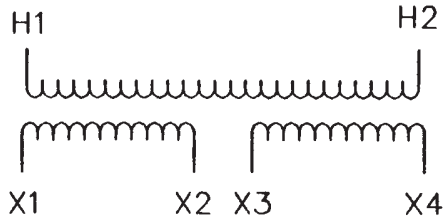
2

Single-Phase Encapsulated

S208A Wiring Diagram & Connections*

Wiring Diagram

Primary: 208
Secondary:
120/240



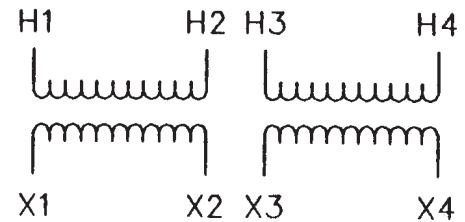
Connections

Primary Volts	Primary Lines Connect To	
208	H1-H2	
Sec. Volts	Interconnect	Secondary Lines Connect To
240	X2 to X3	X1-X4
120/240	X2 to X3	X1-X2-X4
120	X1 to X3 X2 to X4	X1-X4

S240A Wiring Diagram & Connections*

Wiring Diagram

Primary:
120 x 240
Secondary:
120/240



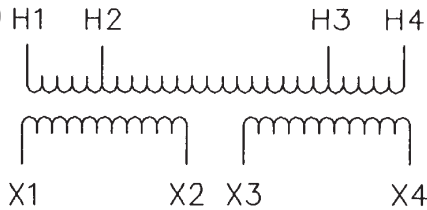
Connections

Primary Volts	Interconnect	Primary Lines Connect To
240	H2 to H3	H1-H4
120	H1 to H3 H2 to H4	H1-H4
Sec. Volts	Interconnect	Secondary Lines Connect To
240	X2 to X3	X1-X4
120/240	X2 to X3	X1-X2-X4
120	X1 to X3 X2 to X4	X1-X4

S277A Wiring Diagram & Connections*

Wiring Diagram

Primary: 277
Secondary: 120/240



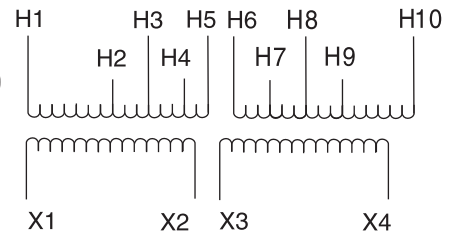
Connections

Primary Volts	Primary Lines Connect To	
277	H1-H4	
270	H1-H3	
263	H2-H3	
Sec. Volts	Interconnect	Secondary Lines Connect To
240	X2 to X3	X1-X4
120/240	X2 to X3	X1-X2-X4
120	X1 to X3 X2 to X4	X1-X4

S440A Wiring Diagram & Connections*

Wiring Diagram

Primary:
190/200/208/220 x
380/400/416/440
Secondary: 120/240



Connections

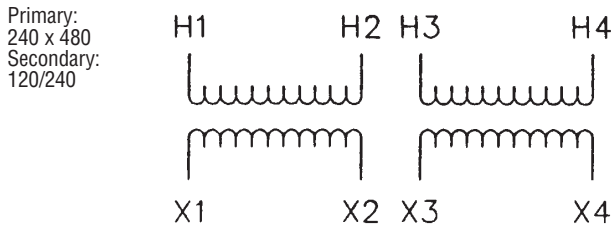
Primary Volts	Interconnect	Primary Lines Connect To
440	H5 to H6	H1 and H10
416	H4 to H7	H1 and H10
400	H3 to H8	H1 and H10
380	H2 to H9	H1 and H10
220	H1 to H6 H5 to H10	H1 and H10
208	H1 to H7 H4 to H10	H1 and H10
200	H1 to H8 H3 to H10	H1 and H10
190	H1 to H9 H2 to H10	H1 and H10
Sec. Volts	Interconnect	Secondary Lines Connect To
240	X2 to X3	X1-X4
120/240	X2 to X3	X1-X2-X4
120	X1 to X3 X2 to X4	X1-X4

NOTE: Electrostatic shields are optionally available and not shown in all wiring diagrams. * Insulate unused taps individually.

Single-Phase Encapsulated

S480A Wiring Diagram & Connections*

Wiring Diagram



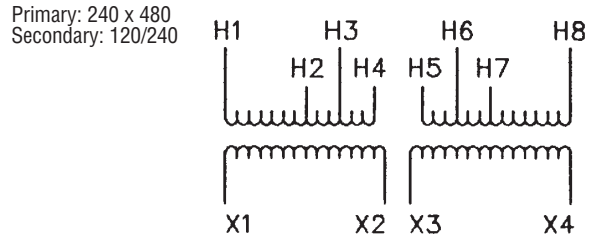
Connections

Primary Volts	Interconnect	Primary Lines Connect To
480	H2 to H3	H1-H4
240	H1 to H3 H2 to H4	H1-H4

Sec. Volts	Interconnect	Secondary Lines Connect To
240	X2 to X3	X1-X4
120/240	X2 to X3	X1-X2-X4
120	X1 to X3 X2 to X4	X1-X4

S480B Wiring Diagram & Connections*

Wiring Diagram



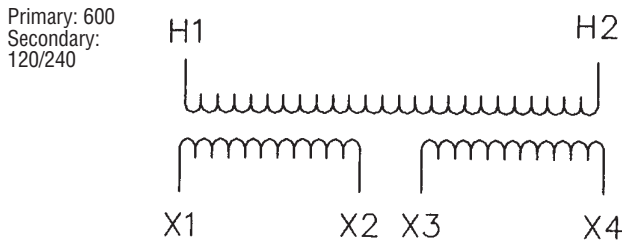
Connections

Primary Volts	Interconnect	Primary Lines Connect To
504	H4 to H5	H1 and H8
492	H3 to H5	H1 and H8
480	H3 to H6	H1 and H8
468	H2 to H6	H1 and H8
456	H2 to H7	H1 and H8
252	H1 to H5 H4 to H8	H1 and H8
240	H1 to H6 H3 to H8	H1 and H8
228	H1 to H7 H2 to H8	H1 and H8

Sec. Volts	Interconnect	Secondary Lines Connect To
240	X2 to X3	X1 and X4
120/240	X2 to X3	X1-X2-X4
120	X1 to X3 X2 to X4	X1-X4

S600A Wiring Diagram & Connections*

Wiring Diagram



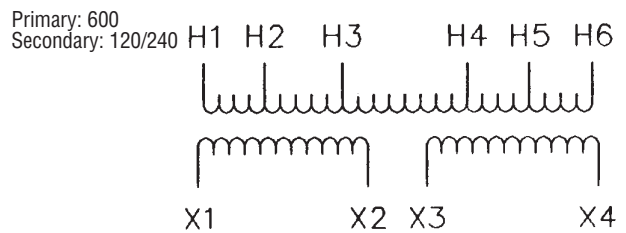
Connections

Primary Volts	Primary Lines Connect To
600	H1-H2

Sec. Volts	Interconnect	Secondary Lines Connect To
240	X2 to X3	X1-X4
120/240	X2 to X3	X1-X2-X4
120	X1 to X3 X2 to X4	X1-X4

S600B Wiring Diagram & Connections*

Wiring Diagram



Connections

Primary Volts	Primary Lines Connect To
600	H1-H6
585	H1-H5
570	H2-H5
555	H2-H4
540	H3-H4

Sec. Volts	Interconnect	Secondary Lines Connect To
240	X2 to X3	X1-X4
120/240	X2 to X3	X1-X2-X4
120	X1 to X3 X2 to X4	X1-X4

NOTE: Electrostatic shields are optionally available and not shown in all wiring diagrams. * Insulate unused taps individually.

2

Single-Phase Encapsulated

Notes: