

Jefferson Electric Tanning Bed Transformers



Contents	Page
Group I	1
Group II	2
Group III	3
Group IV	4
Group V	4
Group VI	4
Dimensional Diagrams	5
Wiring Diagrams	6

Group I: Single-Phase, 60 Hz, 120 x 240V Primary, Encapsulated, NEMA 3R Enclosure, UL & cUL

VA	Catalog Number	Fig	Dimensions			Wiring	Weight		
			A	B	C				
120 x 240 V -- 12/24 V									
50	416-1100-000	2	8.03	3.31	3.08	*	4.4		
100	416-1101-000	2	8.03	3.31	3.08	*	4.8		
150	416-1111-000	2	8.03	3.31	3.08	*	5.6		
250	416-1121-000	2	8.03	3.31	3.08	*	6.7		
500	416-1131-000	2	10.19	5.06	4.59	*	15.0		
750	416-1141-000	2	10.19	5.06	4.59	*	17.0		
1000	416-1151-000	2	10.19	5.06	4.59	*	19.5		
1500	416-1161-000	3	12.50	6.69	5.34	*	35.0		
2000	416-1171-000	3	12.50	6.69	5.34	*	41.2		
3000	416-1181-000	3	14.56	7.56	7.15	*	48.0		
5000	416-1191-000	3	14.56	7.56	7.15	*	90.5		
7500	416-2101-000	4	16.12	13.50	8.55	*	130		
10000	416-2111-000	4	16.12	13.50	8.55	*	158		

120 x 240 V -- 16/32 V

50	416-1200-000	2	8.03	3.31	3.08	*	4.4		
100	416-1201-000	2	8.03	3.31	3.08	*	4.8		
150	416-1211-000	2	8.03	3.31	3.08	*	5.6		
250	416-1221-000	2	8.03	3.31	3.08	*	6.7		
500	416-1231-000	2	10.19	5.06	4.59	*	15.0		
750	416-1241-000	2	10.19	5.06	4.59	*	17.0		
1000	416-1251-000	2	10.19	5.06	4.59	*	19.5		
1500	416-1261-000	3	12.50	6.69	5.34	*	35.0		
2000	416-1271-000	3	12.50	6.69	5.34	*	41.2		
3000	416-1281-000	3	14.56	7.56	7.15	*	48.0		
5000	416-1291-000	3	14.56	7.56	7.15	*	90.5		
7500	416-2201-000	4	16.12	13.50	8.55	*	130		
10000	416-2211-000	4	16.12	13.50	8.55	*	158		

* See Buck-Boost section of main catalog for wiring information

Pre-Wired Autotransformers

Group II: Single-Phase, 18" leads, 60 Hz, Encapsulated, NEMA 1 Enclosure, UL & cUL or UR, 30 Amp Plugs & Receptacles are twist-lock

Amps	Catalog Number	Fig	Dimensions			Wiring	Weight	Plug	Connector
			A	B	C				
Voltage change = +12 V									
20	414-TP12-020	2	10.19	5.06	4.59	N/A	13.0	6-20P	6-20R
30	414-TP12-030	2	10.19	5.06	4.59	N/A	13.5	L6-30P	L6-30R
40	414-TP12-040	2	10.19	5.06	4.59	N/A	12.8	N/A	N/A
60	414-TP12-060	2	10.19	5.06	4.59	N/A	15.2	N/A	N/A
Voltage change = -12 V									
20	414-TM12-020	2	10.19	5.06	4.59	N/A	13.0	6-20P	6-20R
30	414-TM12-030	2	10.19	5.06	4.59	N/A	13.5	L6-30P	L6-30R
40	414-TM12-040	2	10.19	5.06	4.59	N/A	12.8	N/A	N/A
60	414-TM12-060	2	10.19	5.06	4.59	N/A	15.2	N/A	N/A
Voltage change = +16 V									
20	414-TP16-020	2	10.19	5.06	4.59	N/A	13.0	6-20P	6-20R
30	414-TP16-030	2	10.19	5.06	4.59	N/A	13.5	L6-30P	L6-30R
40	414-TP16-040	2	10.19	5.06	4.59	N/A	15.2	N/A	N/A
60	414-TP16-060	2	10.19	5.06	4.59	N/A	18.6	N/A	N/A
Voltage change = -16 V									
20	414-TM16-020	2	10.19	5.06	4.59	N/A	13.0	6-20P	6-20R
30	414-TM16-030	2	10.19	5.06	4.59	N/A	13.5	L6-30P	L6-30R
40	414-TM16-040	2	10.19	5.06	4.59	N/A	15.2	N/A	N/A
60	414-TM16-060	2	10.19	5.06	4.59	N/A	18.6	N/A	N/A
Voltage change = +24 V									
20	414-TP24-020	2	10.19	5.06	4.59	N/A	13.0	6-20P	6-20R
30	414-TP24-030	2	10.19	5.06	4.59	N/A	15.9	L6-30P	L6-30R
40	414-TP24-040	2	10.19	5.06	4.59	N/A	18.6	N/A	N/A
60	414-TP24-060	3	12.50	6.69	5.34	N/A	28.0	N/A	N/A
Voltage change = -24 V									
20	414-TM24-020	2	10.19	5.06	4.59	N/A	13.0	6-20P	6-20R
30	414-TM24-030	2	10.19	5.06	4.59	N/A	15.9	L6-30P	L6-30R
40	414-TM24-040	2	10.19	5.06	4.59	N/A	18.6	N/A	N/A
60	414-TM24-060	3	12.50	6.69	5.34	N/A	28.0	N/A	N/A
Voltage change = +32 V									
15	414-TP32-015	2	10.19	5.06	4.59	N/A	13.0	6-20P	6-20R
20	414-TP32-020	2	10.19	5.06	4.59	N/A		6-20P	6-20R
23	414-TP32-023	2	10.19	5.06	4.59	N/A	15.9	L6-30P	L6-30R
30	414-TP32-030	2	10.19	5.06	4.59	N/A	19.3	L6-30P	L6-30R
40	414-TP32-040	3	12.50	6.69	5.34	N/A	27.6	N/A	N/A
60	414-TP32-060	3	12.50	6.69	5.34	N/A	33.5	N/A	N/A
Voltage change = -32 V									
15	414-TM32-015	2	10.19	5.06	4.59	N/A	13.0	6-20P	6-20R
20	414-TM32-020	2	10.19	5.06	4.59	N/A		6-20P	6-20R
23	414-TM32-023	2	10.19	5.06	4.59	N/A	15.9	L6-30P	L6-30R
30	414-TM32-030	2	10.19	5.06	4.59	N/A	19.3	L6-30P	L6-30R
40	414-TM32-040	3	12.50	6.69	5.34	N/A	27.6	N/A	N/A
60	414-TM32-060	3	12.50	6.69	5.34	N/A	33.5	N/A	N/A

Pre-Wired Autotransformers

Group III: Single-Phase, 60 Hz, Encapsulated, NEMA 3R Enclosure, UL & cUL									
Amps	Catalog Number	Fig	Dimensions			Wiring	Weight		
			A	B	C				
208 V - 230 V									
20	415-0001-028	2	10.19	5.06	4.59	AS230A	14.4		
35	415-0001-029	2	10.19	5.06	4.59		14.4		
45	415-0001-030	2	10.19	5.06	4.59		17.8		
60	415-0001-031	3	12.50	6.69	5.34		26.8		
80	415-0001-061	3	12.50	6.69	5.34		33.4		
100	415-0001-066	3	12.50	6.69	5.34		39.8		
208 V - 235 V									
20	415-0001-037	2	10.19	5.06	4.59	AS235A	14.4		
35	415-0001-038	2	10.19	5.06	4.59		14.4		
45	415-0001-036	3	12.50	6.69	5.34		26.8		
60	415-0001-039	3	12.50	6.69	5.34		26.8		
80	415-0001-062	3	14.56	7.56	7.15		39.8		
100	415-0001-067	3	14.56	7.56	7.15		39.8		
208 V - 240 V									
20	415-0001-009	2	10.19	5.06	4.59	AS240A	14.4		
35	415-0001-010	2	10.19	5.06	4.59		14.4		
45	415-0001-011	3	12.50	6.69	5.34		26.8		
60	415-0001-012	3	12.50	6.69	5.34		26.8		
80	415-0001-063	3	14.56	7.56	7.15		39.8		
100	415-0001-068	3	14.56	7.56	7.15		53.6		
208/240 V - 225 V									
20	415-0001-006	2	10.19	5.06	4.59	AS225A	14.4		
35	415-0001-001	2	10.19	5.06	4.59		14.4		
45	415-0001-007	2	10.19	5.06	4.59		17.8		
60	415-0001-002	2	10.19	5.06	4.59		17.8		
80	415-0001-064	3	12.50	6.69	5.34		26.8		
100	415-0001-069	3	12.50	6.69	5.34		33.4		
208/240 V - 230 V									
20	415-0001-032	2	10.19	5.06	4.59	AS230B	14.4		
35	415-0001-033	2	10.19	5.06	4.59		14.4		
45	415-0001-027	2	10.19	5.06	4.59		17.8		
60	415-0001-034	3	12.50	6.69	5.34		26.8		
80	415-0001-065	3	14.56	7.56	7.15		33.4		
100	415-0001-070	3	14.56	7.56	7.15		39.8		

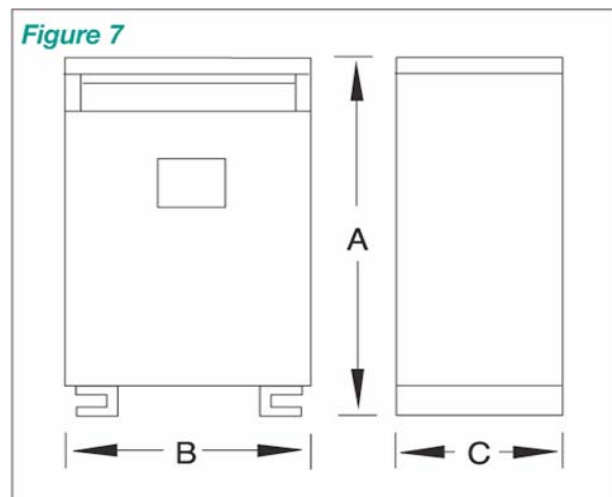
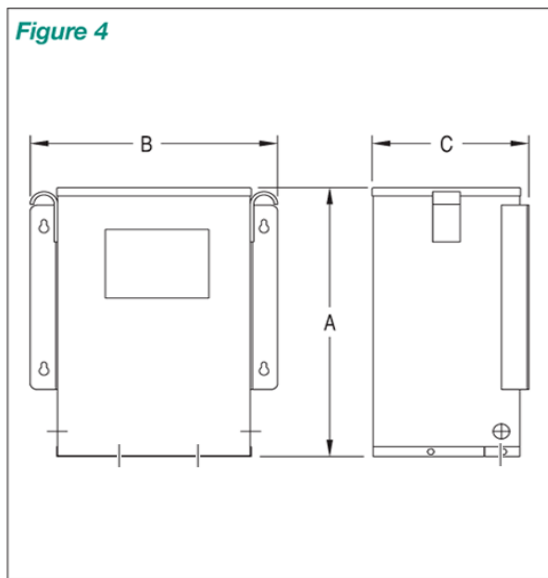
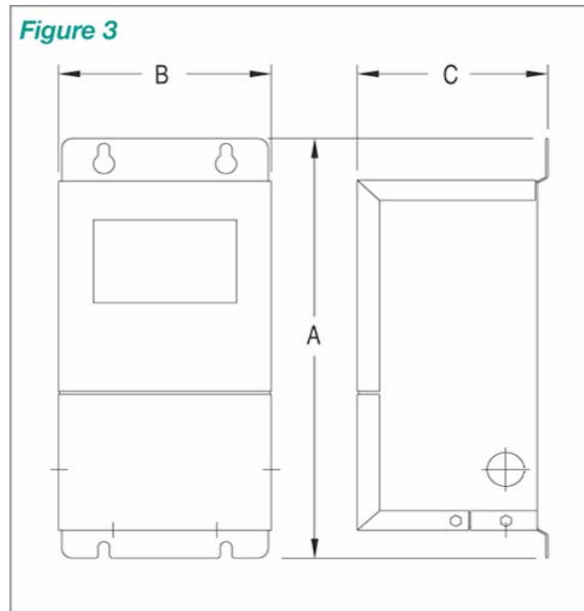
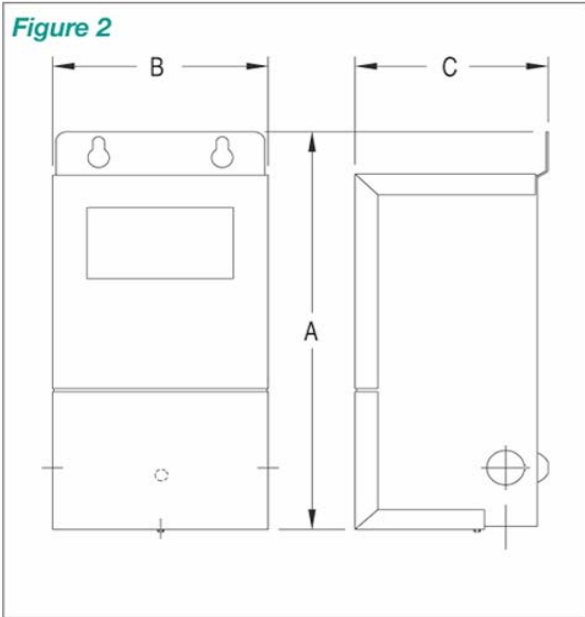
Pre-Wired Autotransformers

Group IV: Three-Phase, 60 Hz, Encapsulated, NEMA 3R Enclosure, UL & cUL									
Amps	Catalog Number	Fig	Dimensions			Wiring	Weight		
			A	B	C				
208Y V - 235Y V									
30	415-0001-071	3	11.56	9.83	5.65	AT235A	44.0		
40	415-0001-041	3	11.56	9.83	5.65		47.0		
50	415-0001-042	3	11.56	9.83	5.65		51.0		
60	415-0001-040	3	11.56	9.83	5.65		55.0		
80	415-0001-043	3	11.56	9.83	5.65		62.0		
100	415-0001-057	4	13.12	12.25	8.06		82.0		
208Y V - 240Y V									
30	415-0001-072	3	11.56	9.83	5.65	AT240A	44.0		
40	415-0001-048	3	11.56	9.83	5.65		47.0		
50	415-0001-049	3	11.56	9.83	5.65		51.0		
60	415-0001-050	3	11.56	9.83	5.65		55.0		
80	415-0001-051	3	11.56	9.83	5.65		62.0		
100	415-0001-058	4	13.12	12.25	8.06		82.0		
208Y/240Y V - 225Y V									
30	415-0001-073	3	11.56	9.83	5.65	AT225A	44.0		
40	415-0001-044	3	11.56	9.83	5.65		47.0		
50	415-0001-045	3	11.56	9.83	5.65		51.0		
60	415-0001-046	3	11.56	9.83	5.65		55.0		
80	415-0001-047	3	11.56	9.83	5.65		62.0		
100	415-0001-059	4	13.12	12.25	8.06		82.0		
208Y/240Y V - 230Y V									
30	415-0001-074	3	11.56	9.83	5.65	AT230A	44.0		
40	415-0001-052	3	11.56	9.83	5.65		47.0		
50	415-0001-053	3	11.56	9.83	5.65		51.0		
60	415-0001-054	3	11.56	9.83	5.65		55.0		
80	415-0001-055	3	11.56	9.83	5.65		62.0		
100	415-0001-060	4	13.12	12.25	8.06		82.0		

Group V: Three-Phase, 60 Hz, Ventilated, NEMA 3R Enclosure, UL & cUL									
Amps	Catalog Number	Fig	Dimensions			Wiring	Weight	Weathershield	
			A	B	C				
208Y V - 235Y V Taps: 1@ 5% FCAN & FCBN									
200	425-3003-002	7	22.00	19.00	16.00	AT235B	234	423-0007-019	
400	425-3003-003	7	22.00	19.00	16.00		285	423-0007-019	
600	425-3003-004	7	38.00	29.00	23.00		330	423-0007-029	
800	425-3003-005	7	42.00	33.00	26.00		440	423-0007-033	
208Y V - 240Y V Taps: 1@ 5% FCAN & FCBN									
200	425-3003-006	7	22.00	19.00	16.00	AT240B	224	423-0007-019	
400	425-3003-007	7	22.00	19.00	16.00		285	423-0007-019	
600	425-3003-008	7	38.00	29.00	23.00		330	423-0007-029	
800	425-3003-009	7	42.00	33.00	26.00		440	423-0007-033	
208Y V - 240Y V with Neutral Taps: 1@ 5% FCAN & FCBN									
200	425-3003-001	7	22.00	19.00	16.00	AT240C	234	423-0007-019	

Group VI: Single-Phase, 60 Hz, Ventilated, NEMA 3R Enclosure									
Amps	Catalog Number	Fig	Dimensions			Wiring	Weight	Weathershield	
			A	B	C				
208 V - 235 V									
200	425-1003-001	7	28.00	25.00	18.50	AS235A	215.0	423-0007-025	
400	425-1003-002	7	38.00	29.00	23.00		270.0	423-0007-029	
208 V - 240 V									
200	425-1003-003	7	28.00	25.00	18.50	AS240A	215.0	423-0007-025	
400	425-1003-004	7	38.00	29.00	23.00		270.0	423-0007-029	

Dimensional Diagrams

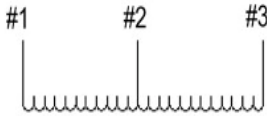


Wiring Diagrams

AS225A Wiring Diagram & Connections*

Wiring Diagram

Input: 208 or 240 Volts
Output: 225 Volts



Step Up Connection

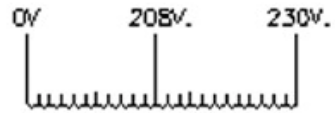
Step Down Connection

208 to 225		240 to 225	
Input Volts	Input Lines Connect To	Input Volts	Input Lines Connect To
208	#1 and #2	240	#1 and #3
Output Volts	Output Lines Connect To	Output Volts	Output Lines Connect To
225	#1 and #3	225	#1 and #2

AS230A Wiring Diagram & Connections*

Wiring Diagram

Input: 208 Volts
Output: 230 Volts



Connections

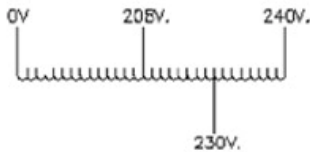
Each lead labeled with specific voltage

Input Volts	Input Lines Connect To
208	0V and 208V
Output Volts	Output Lines Connect To
230	0V and 230V

AS230B Wiring Diagram & Connections*

Wiring Diagram

Input: 208 or 240 Volts
Output: 230 Volts



Connections

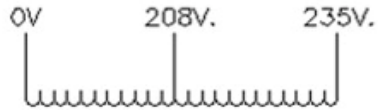
Each lead labeled with specific voltage

Input Volts	Input Lines Connect To
208	0V and 208V
240	0V and 240V
Output Volts	Output Lines Connect To
230	0V and 230V

AS235A Wiring Diagram & Connections*

Wiring Diagram

Input: 208 Volts
Output: 235 Volts



Connections

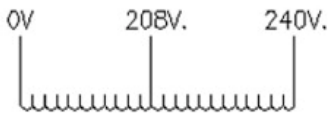
Each lead labeled with specific voltage

Input Volts	Input Lines Connect To
208	0V and 208V
Output Volts	Output Lines Connect To
235	0V and 235V

AS240A Wiring Diagram & Connections*

Wiring Diagram

Input: 208 Volts
Output: 240 Volts



Connections

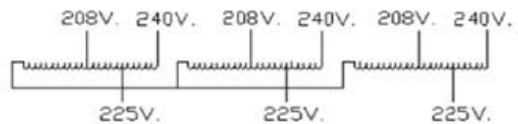
Each lead labeled with specific voltage

Input Volts	Input Lines Connect To
208	0V and 208V
Output Volts	Output Lines Connect To
240	0V and 240V

AT225A Wiring Diagram & Connections*

Wiring Diagram

Input: 208 or 240 Volts
Output: 225 Volts

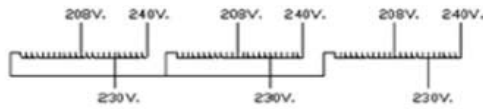


Wiring Diagrams -- Continued

AT230A Wiring Diagram & Connections*

Wiring Diagram

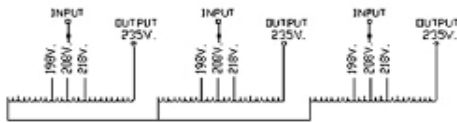
Input: 208 or 240 Volts
Output: 230 Volts



AT235B Wiring Diagram & Connections*

Wiring Diagram

Input: 208 Volts
Output: 235 Volts



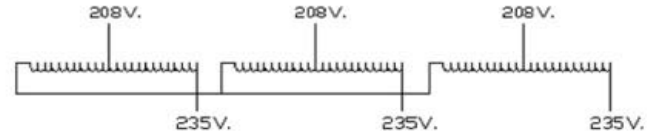
Connections

Input Volts	On Each Coil Jumper Taps To	Input Lines Connect To
218		Input, Input, Input
208		Input, Input, Input
198		Input, Input, Input
Output Volts	Output Lines Connect To	
235	Output, Output, Output	
3 phase		

AT235A Wiring Diagram & Connections*

Wiring Diagram

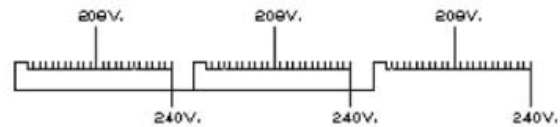
Input: 208 Volts
Output: 235 Volts



AT240A Wiring Diagram & Connections*

Wiring Diagram

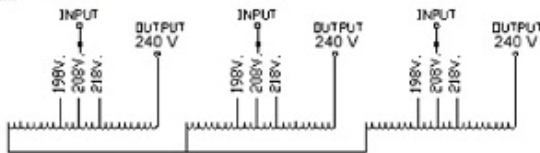
Input: 208 Volts
Output: 240 Volts



AT240B Wiring Diagram & Connections*

Wiring Diagram

Input: 208 Volts
Output: 240 Volts



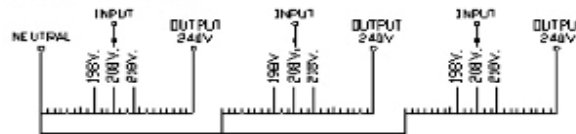
Connections

Input Volts	On Each Coil Jumper Taps To	Input Lines Connect To
218		Input, Input, Input
208		Input, Input, Input
198		Input, Input, Input
Output Volts	Output Lines Connect To	
240	Output, Output, Output	
3 phase		

AT240C Wiring Diagram & Connections*

Wiring Diagram

Input: 208Y/120 Volts
Output: 240Y/139 Volts



Connections

Input Volts	On Each Coil Jumper Taps To	Input Lines Connect To
218		Input, Input, Input
208		Input, Input, Input
198		Input, Input, Input
Output Volts	Output Lines Connect To	
240	Output, Output, Output	
139	Neutral and any one Output	
1 phase		
120	Neutral and any one Output	
1 phase		